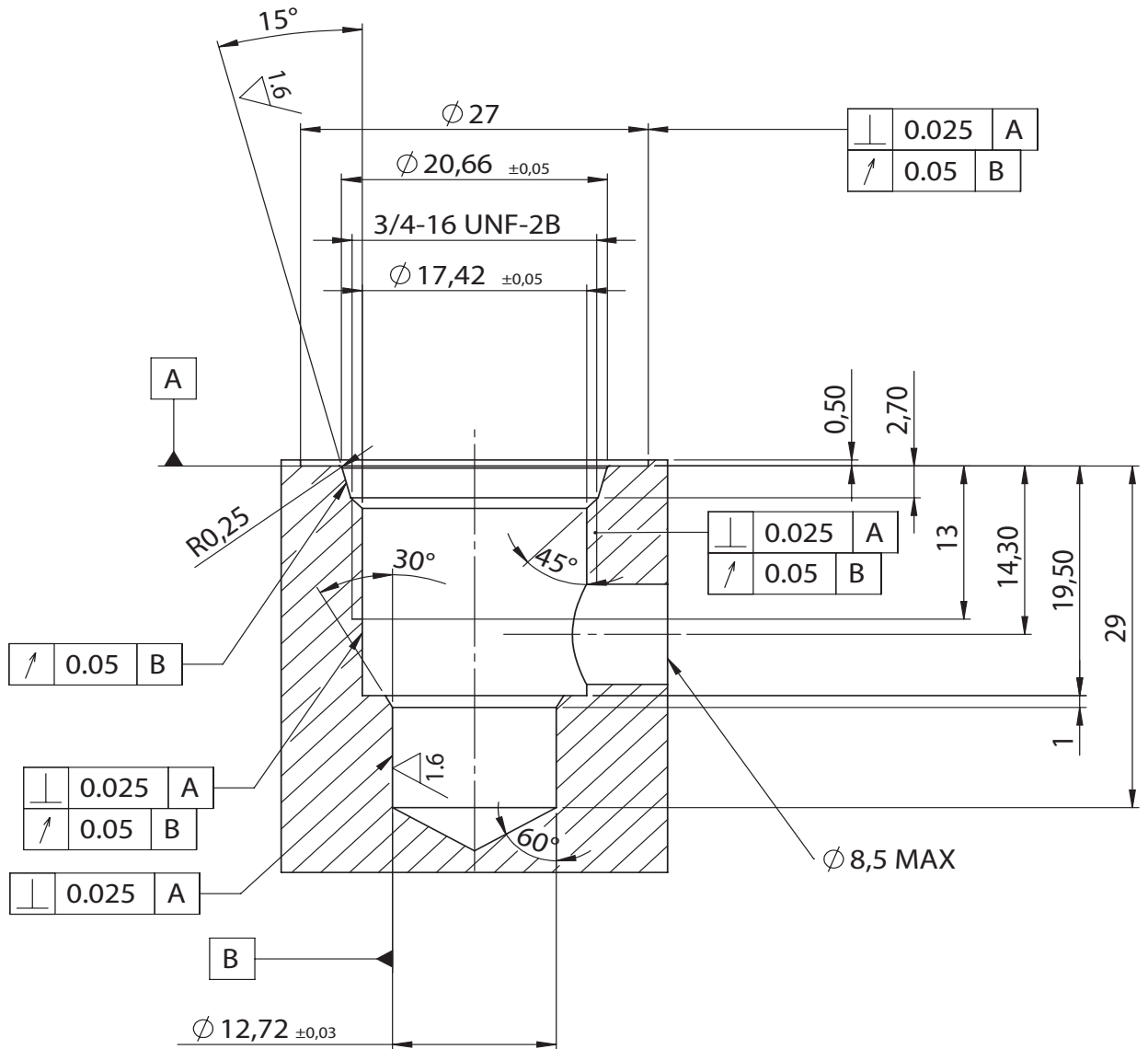


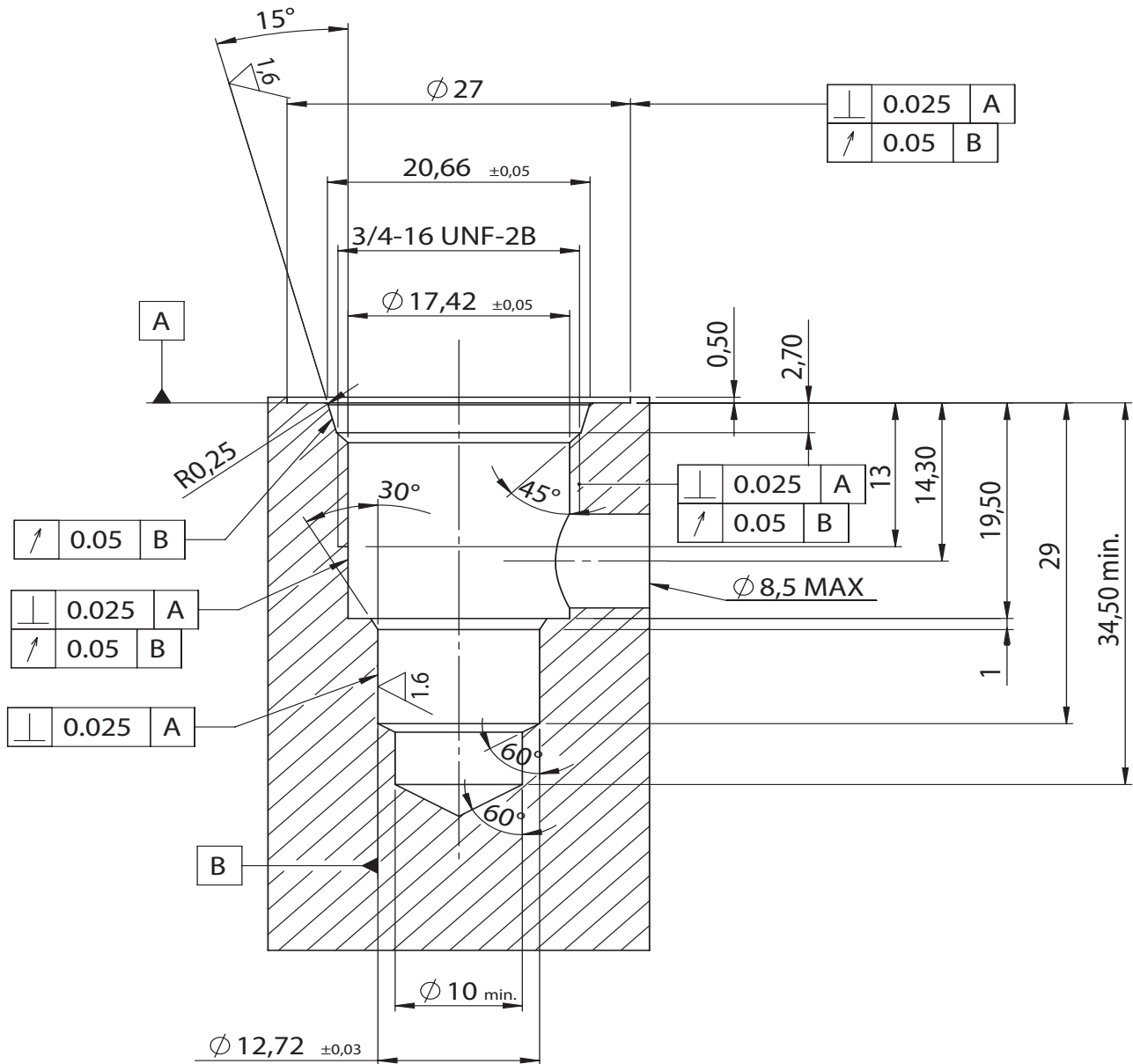
CAVITIES



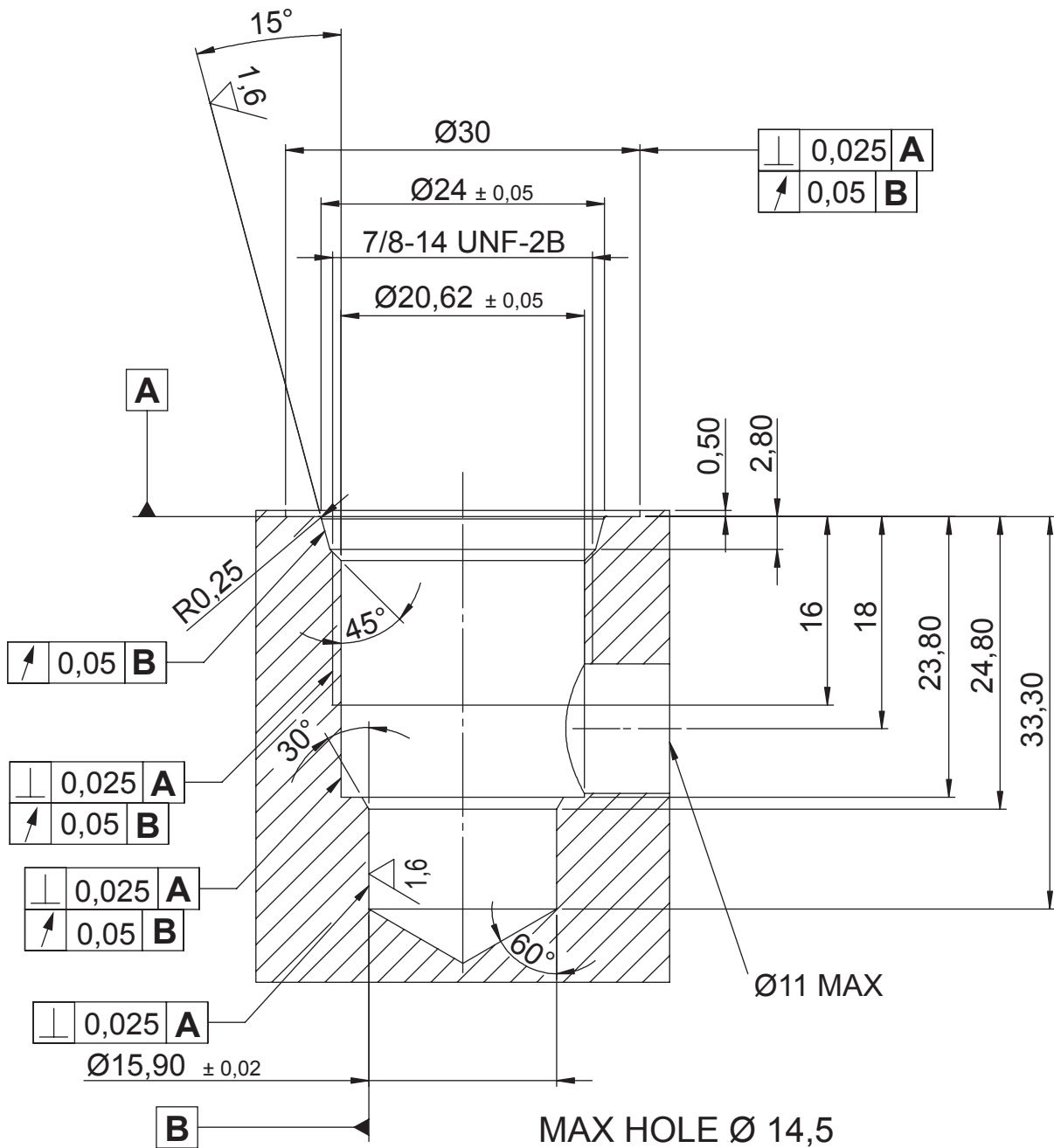
CAVITIES



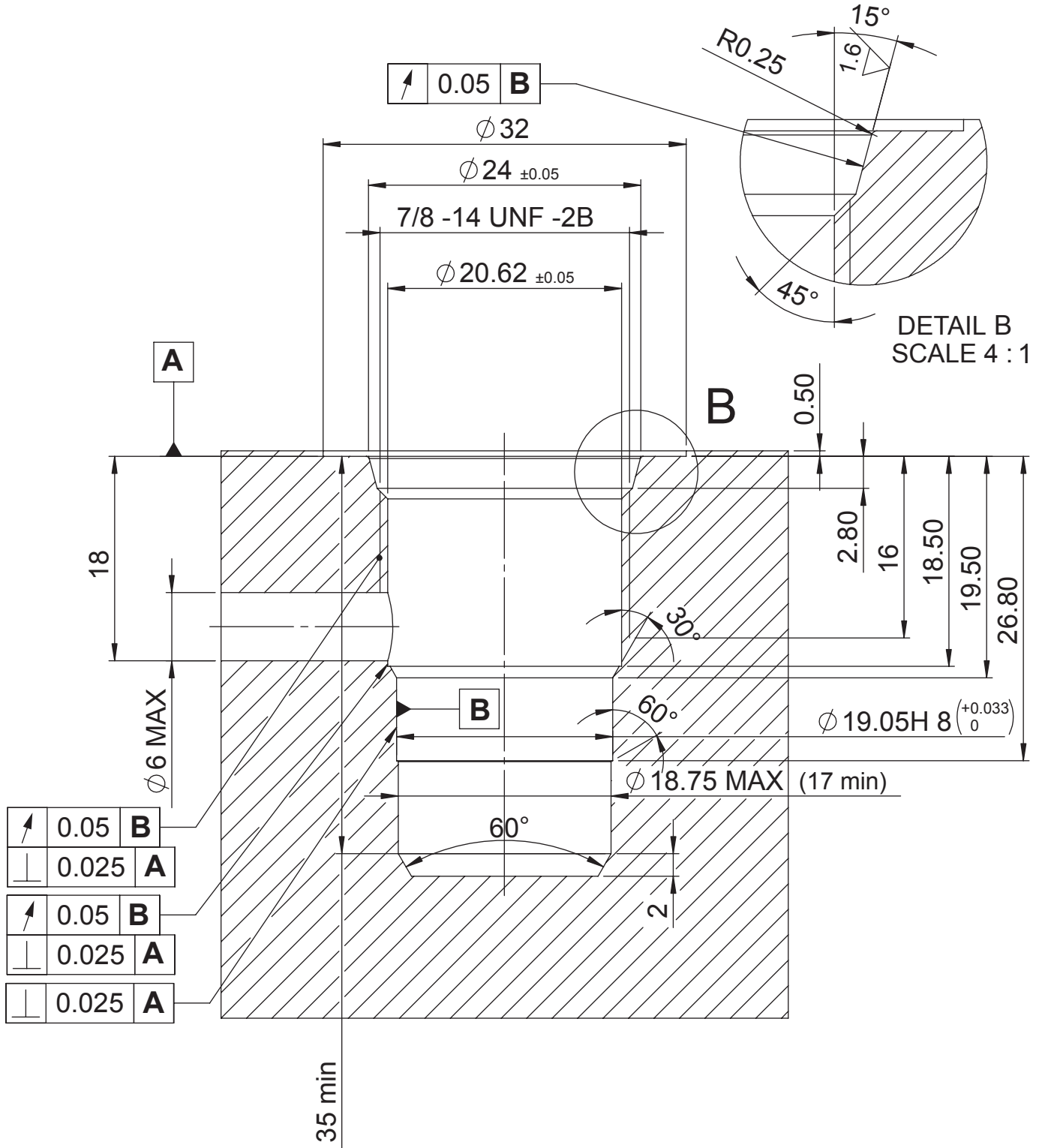
CAVITIES



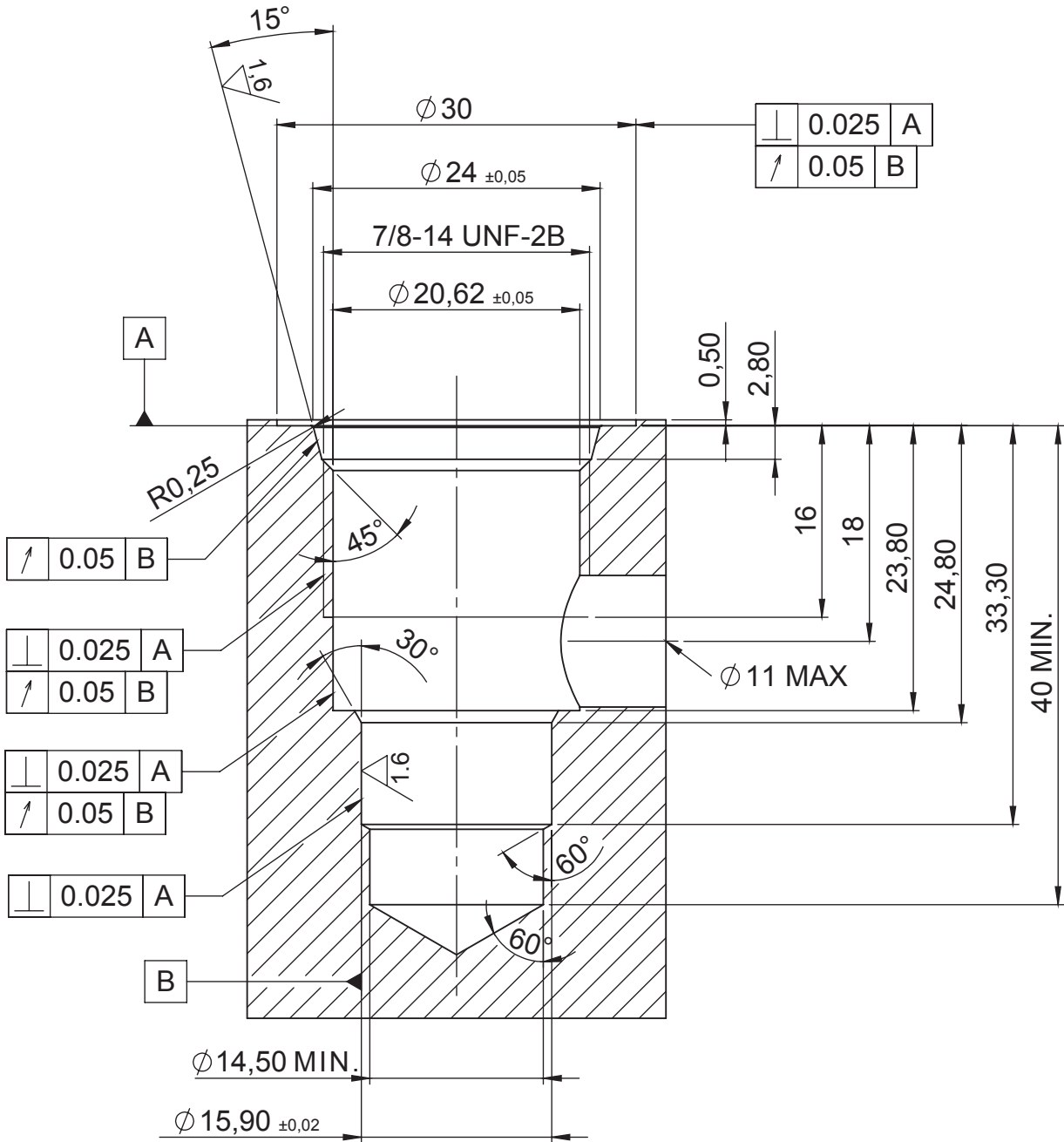
CAVITIES



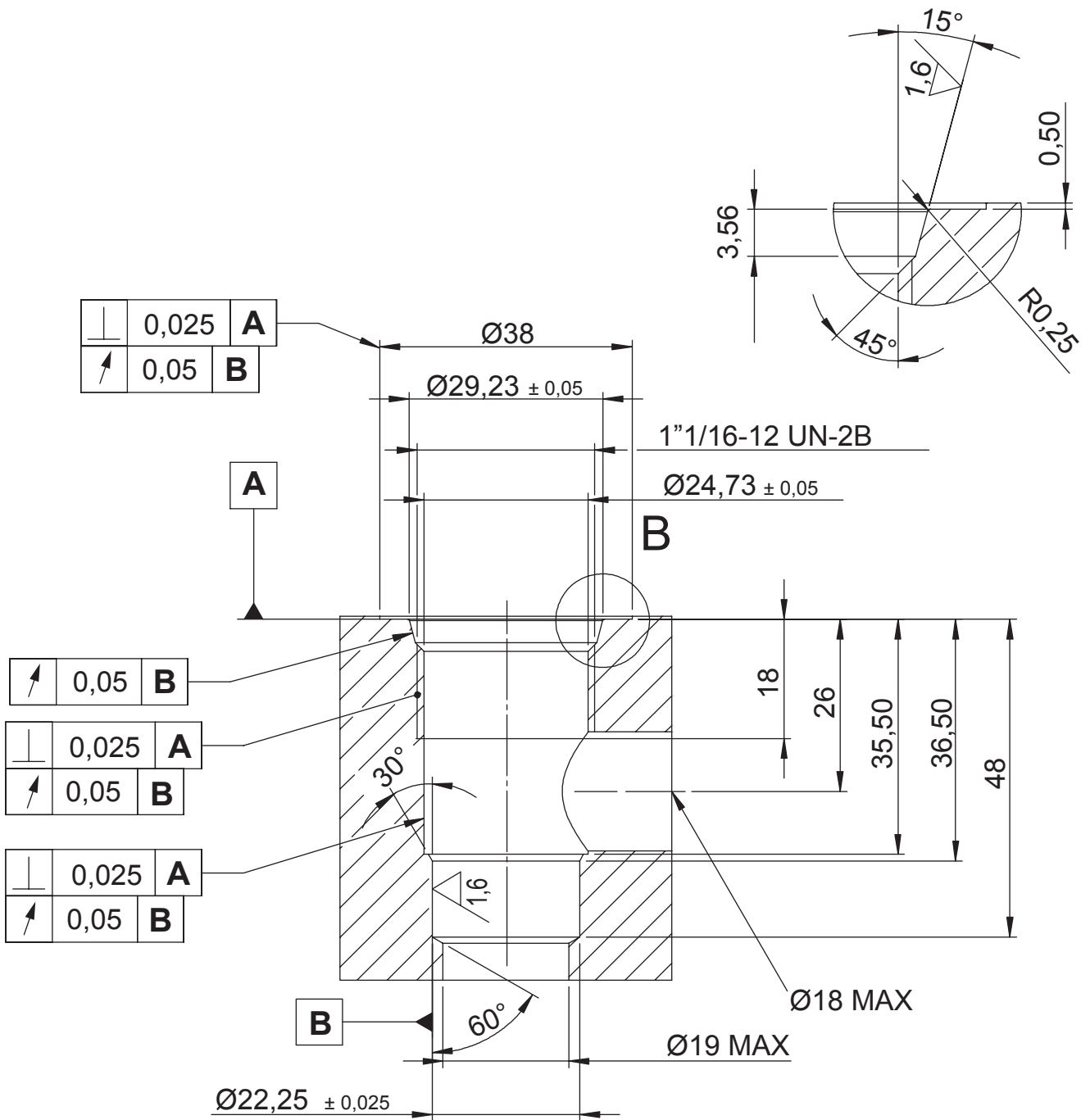
CAVITIES



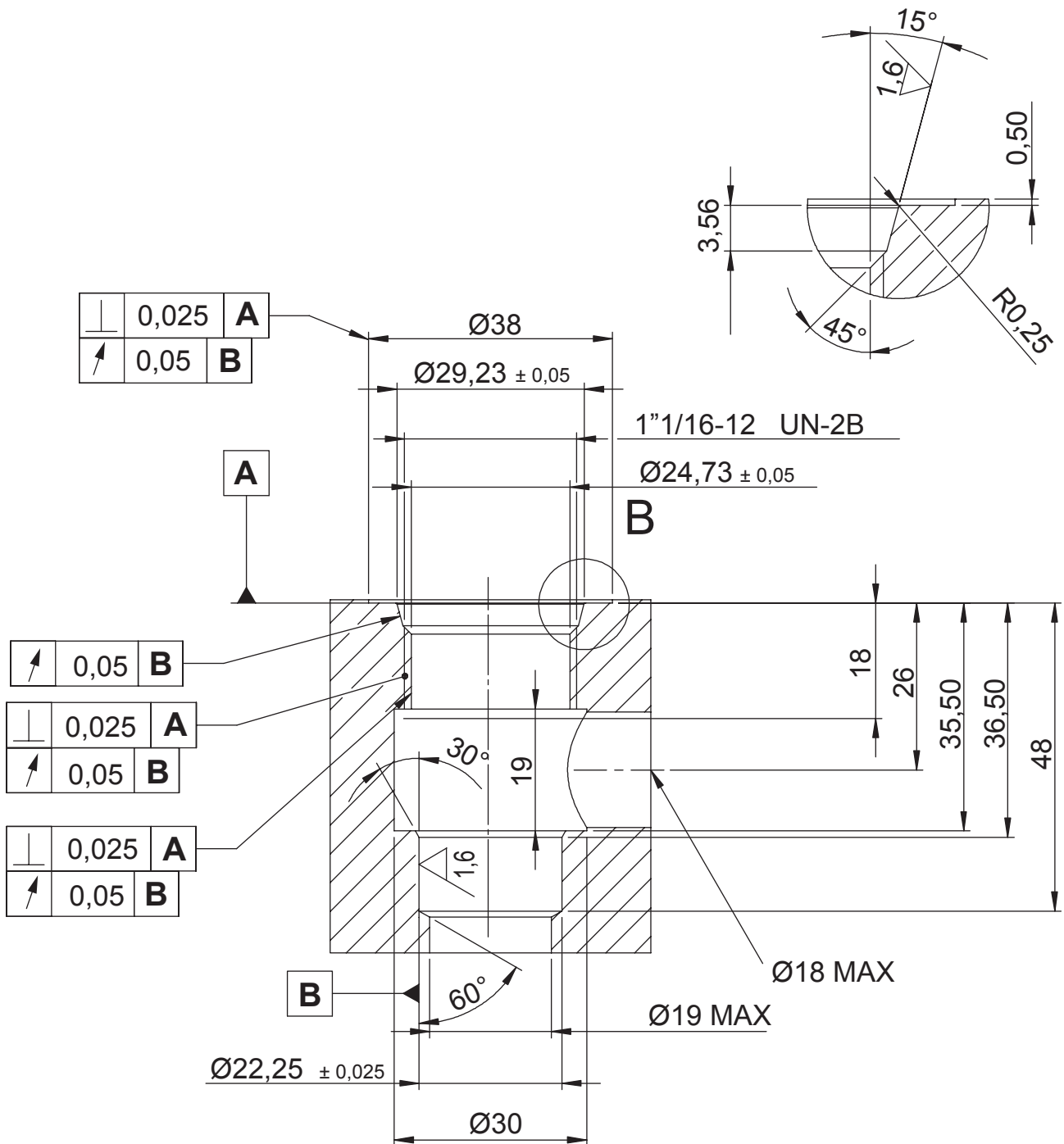
CAVITIES



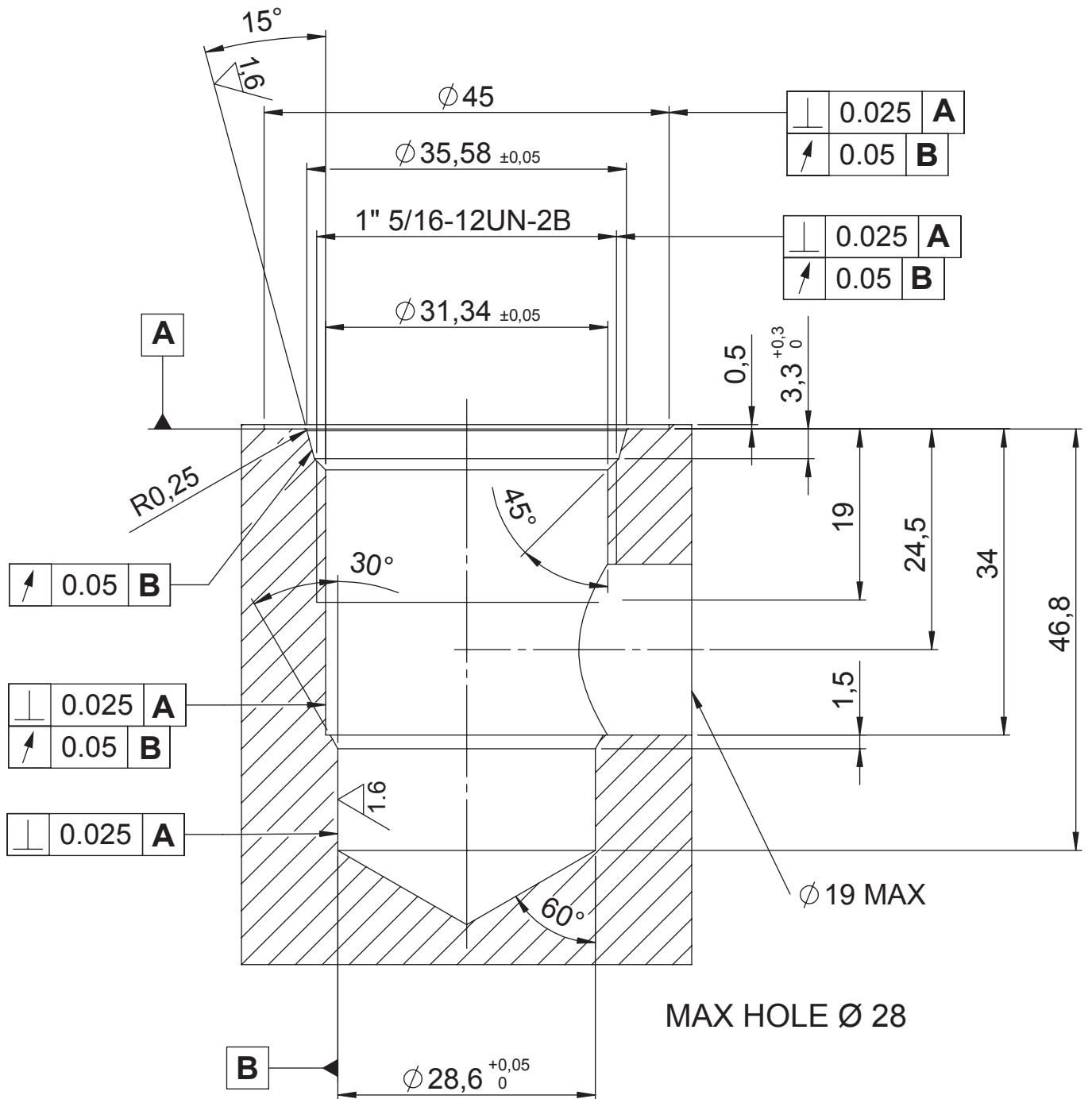
CAVITIES



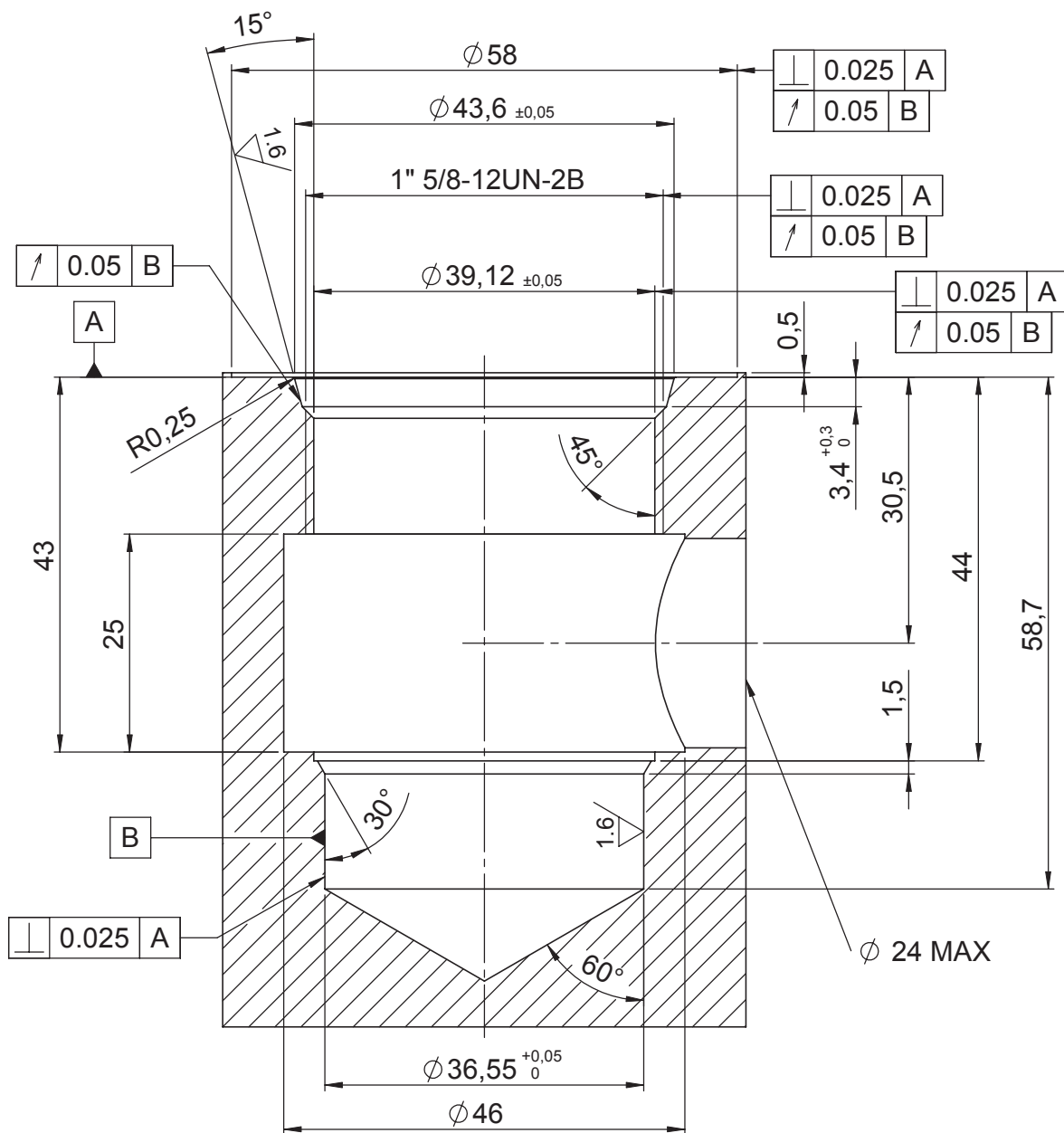
CAVITIES



CAVITIES

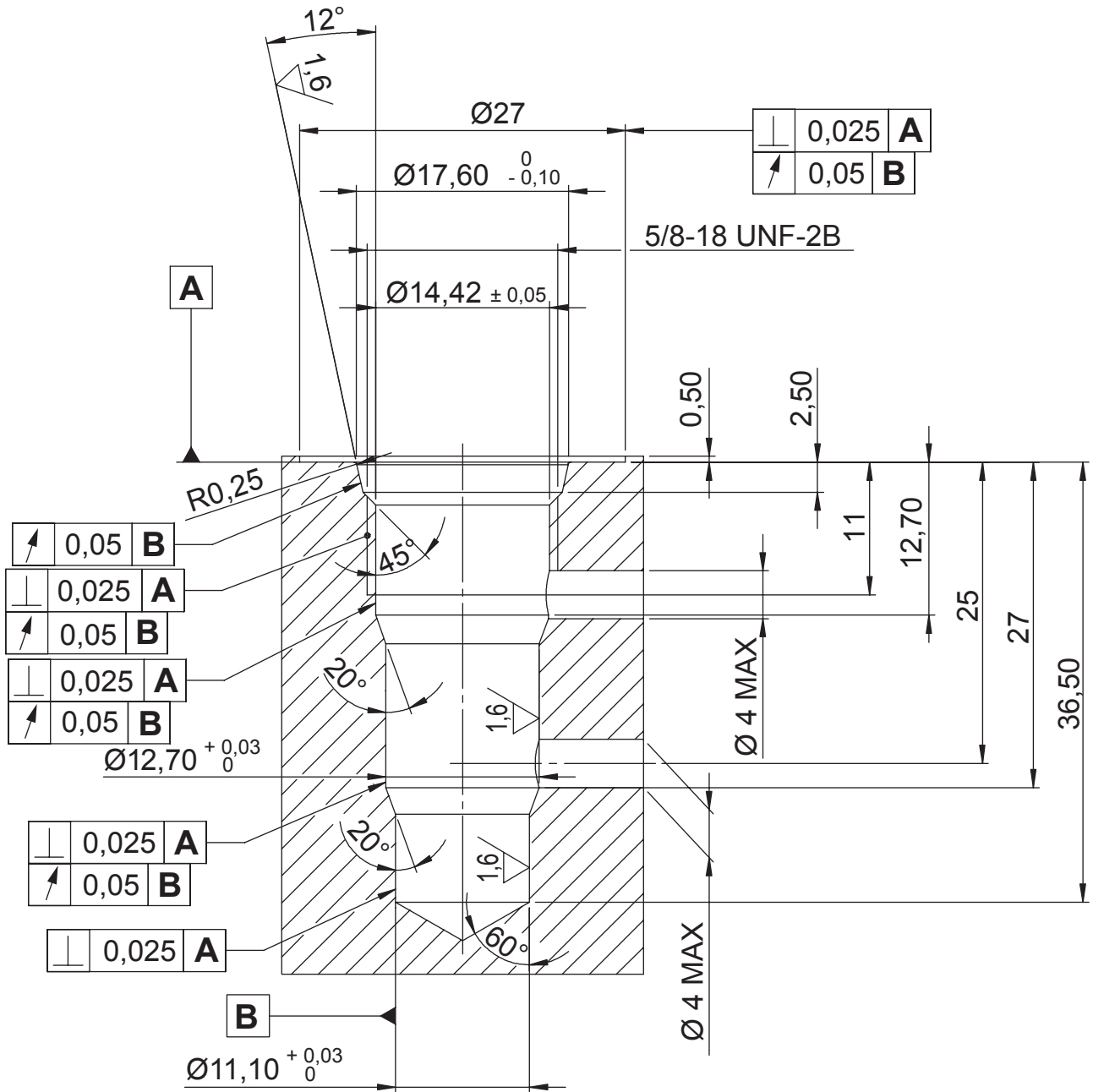


CAVITIES



MAX HOLE Ø 36

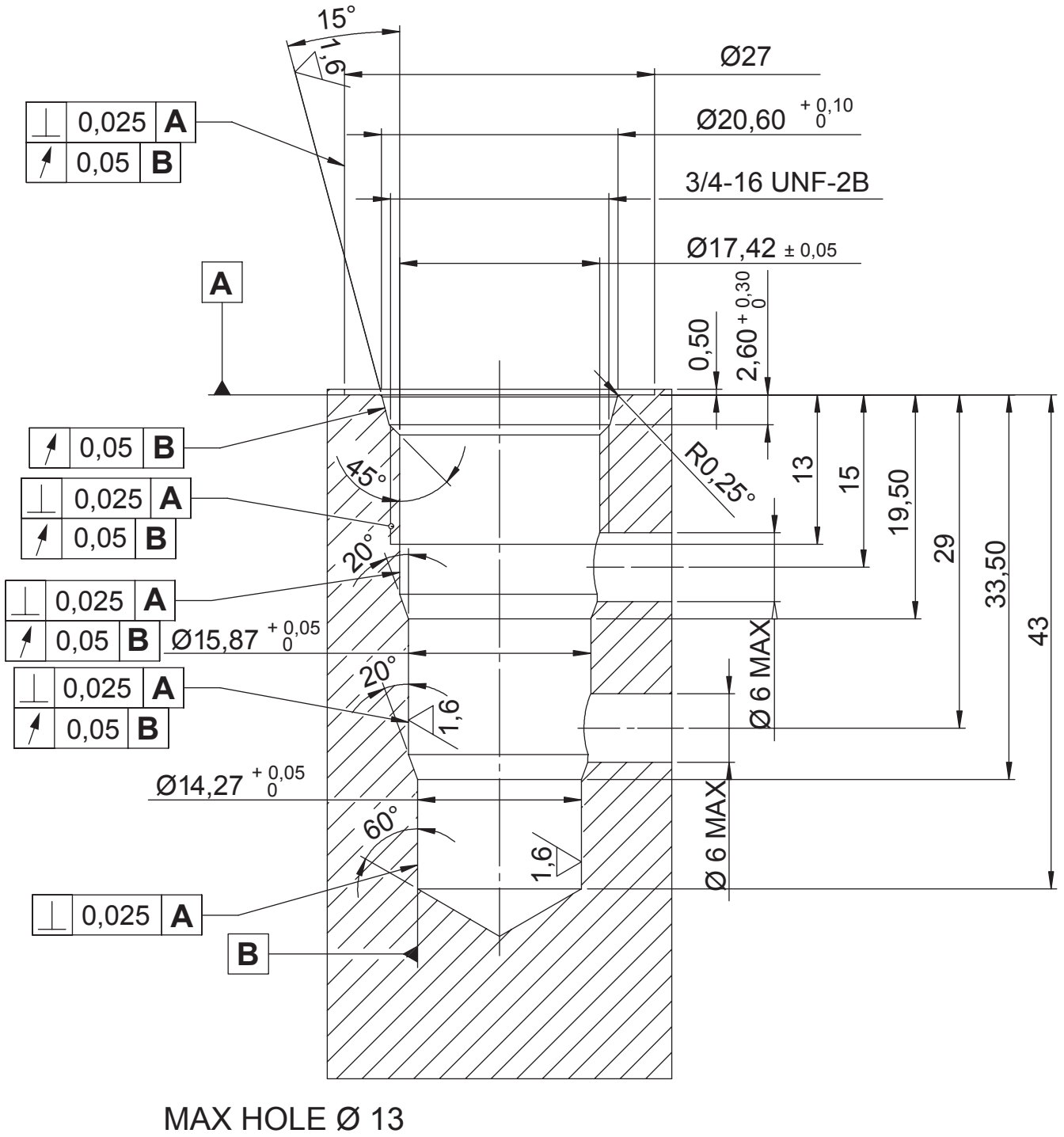
CAVITIES



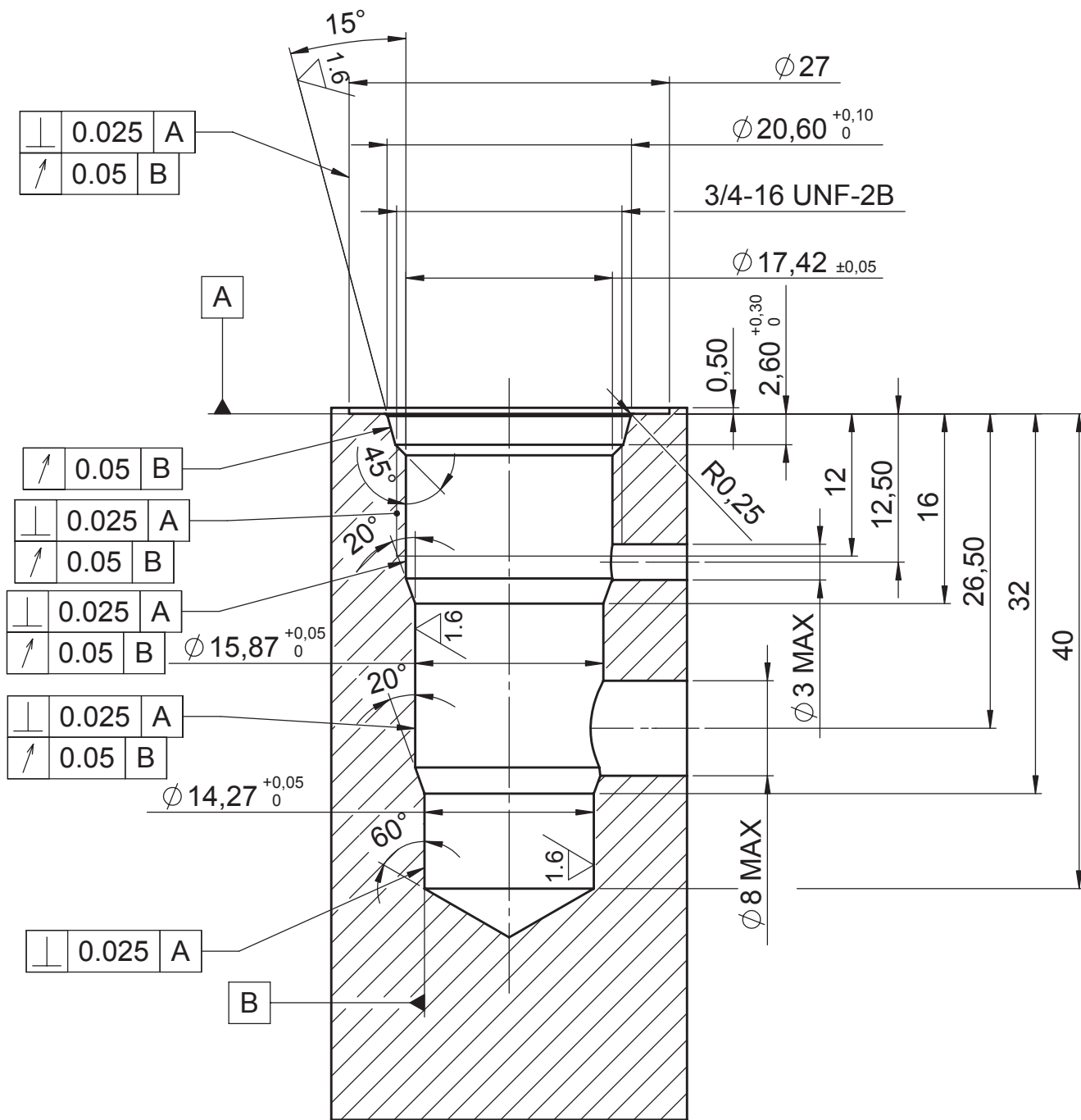
MAX HOLE Ø 8



CAVITIES



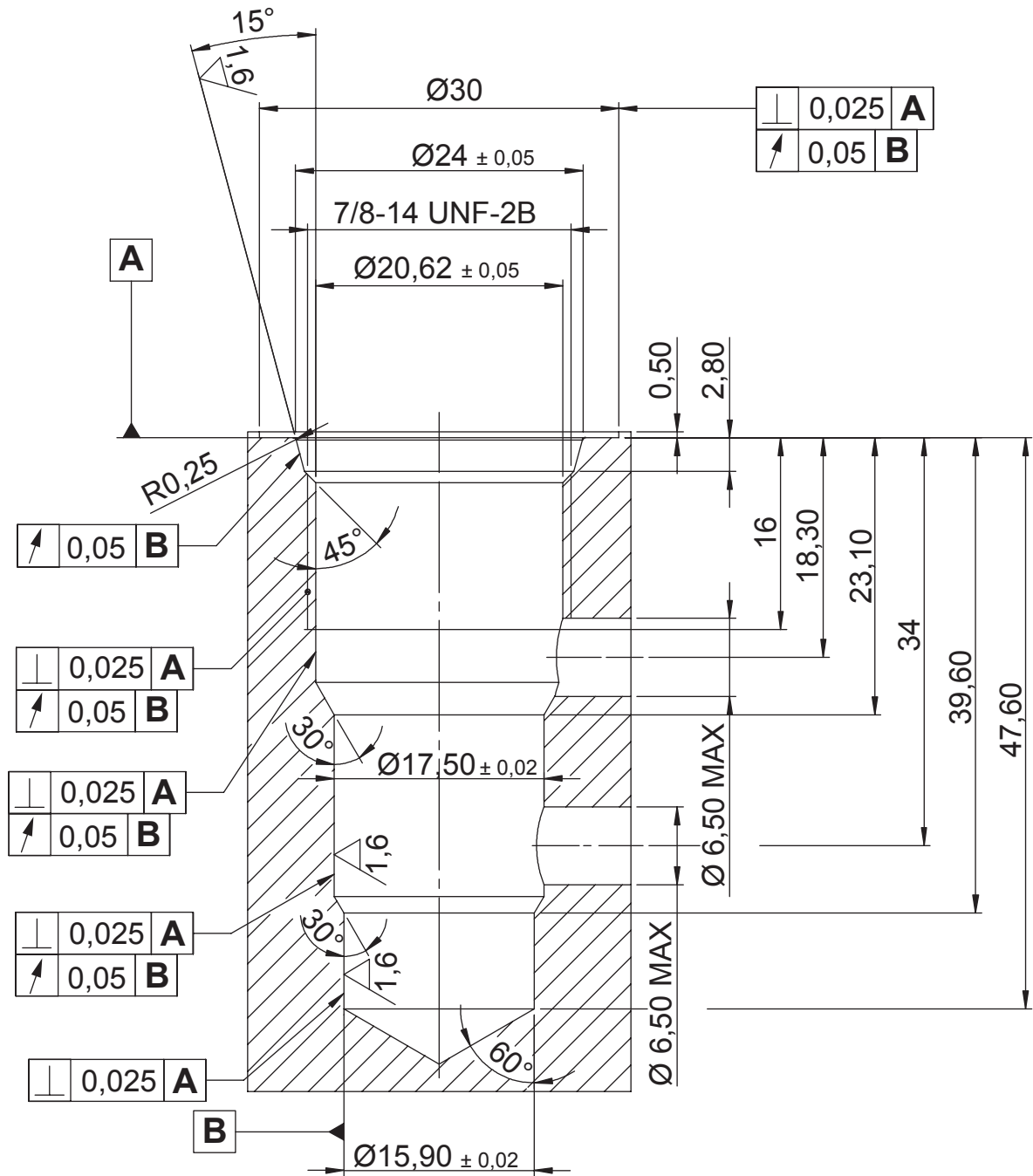
CAVITIES



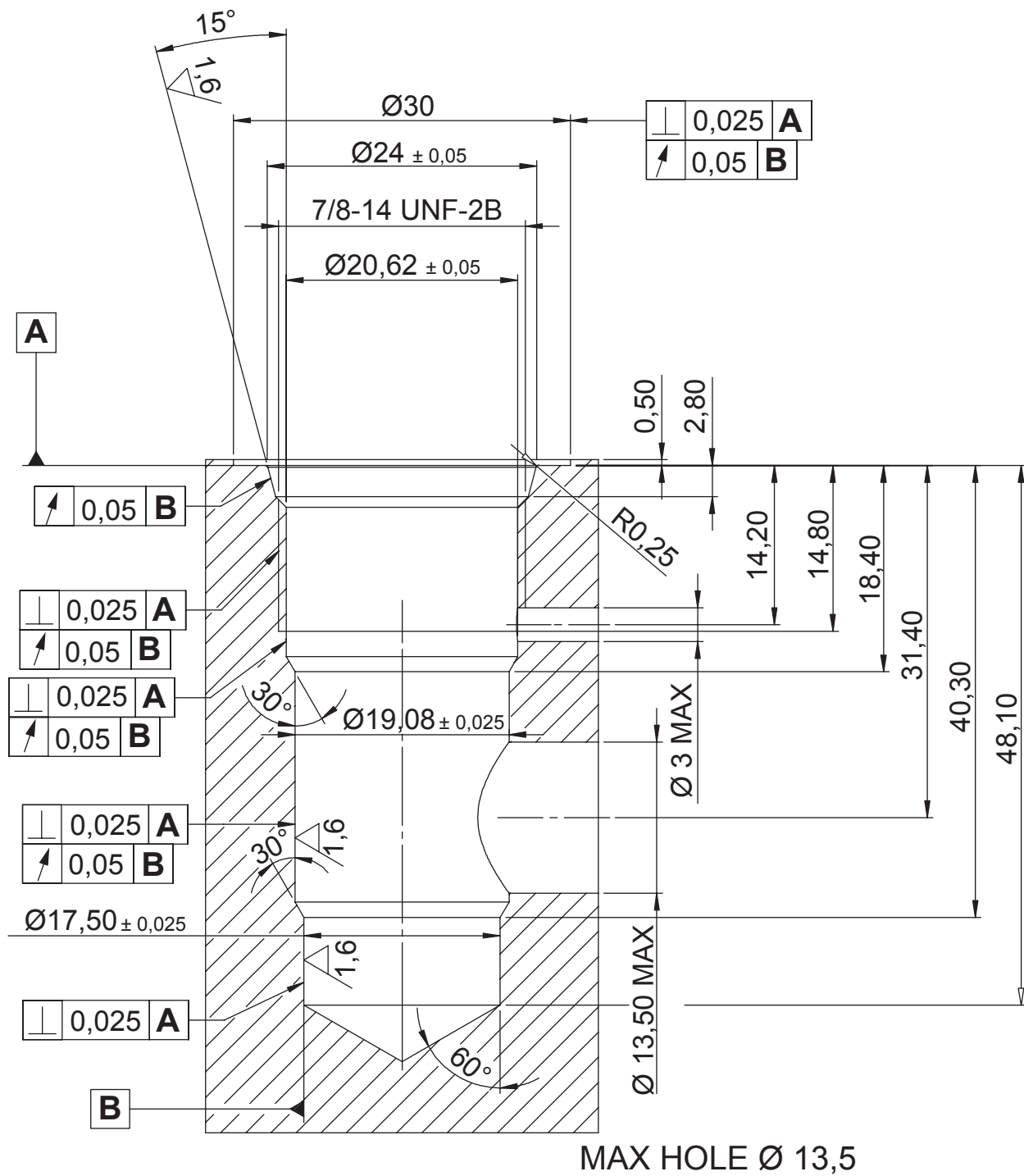
MAX HOLE Ø 13



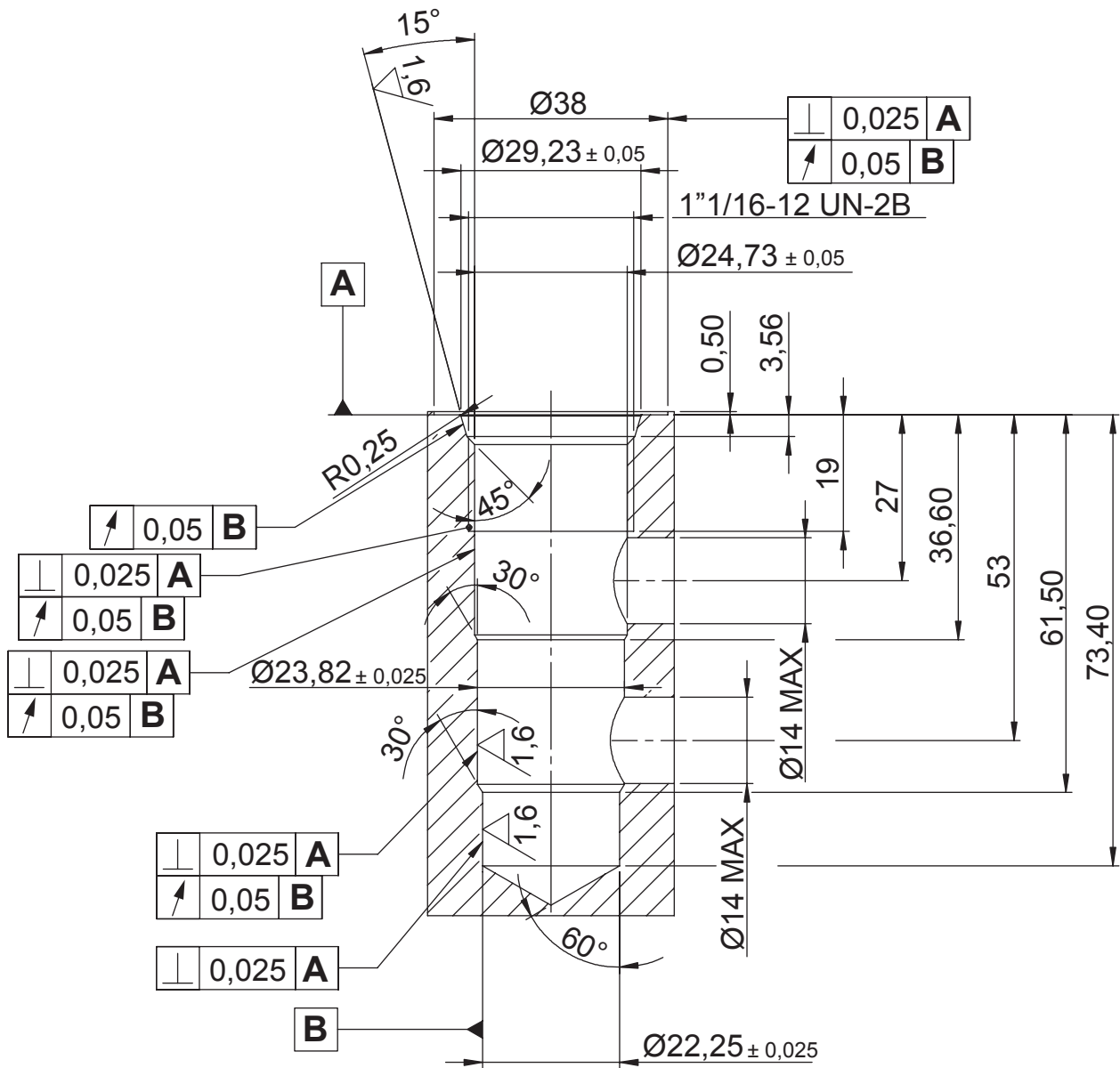
CAVITIES



CAVITIES

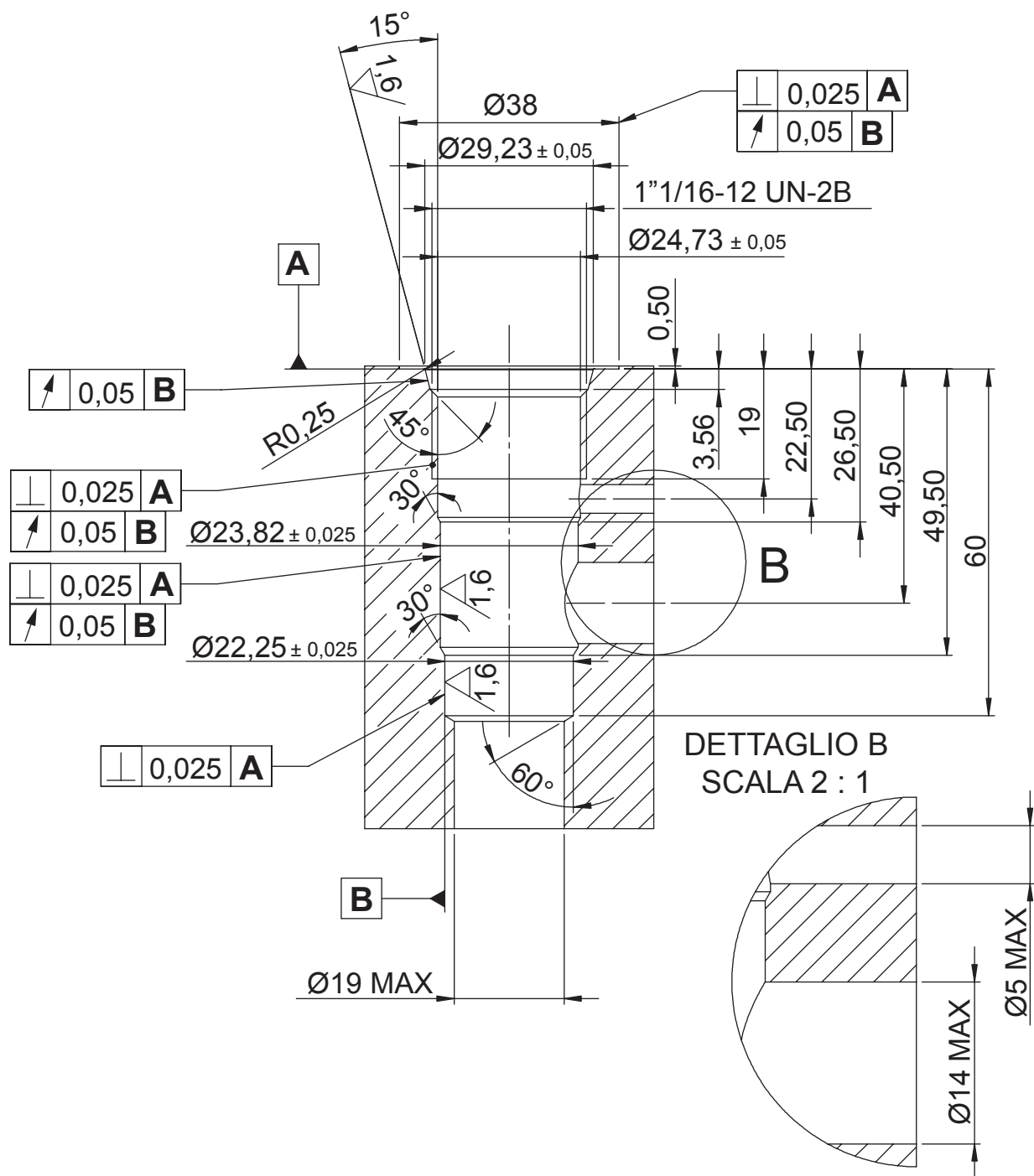


CAVITIES

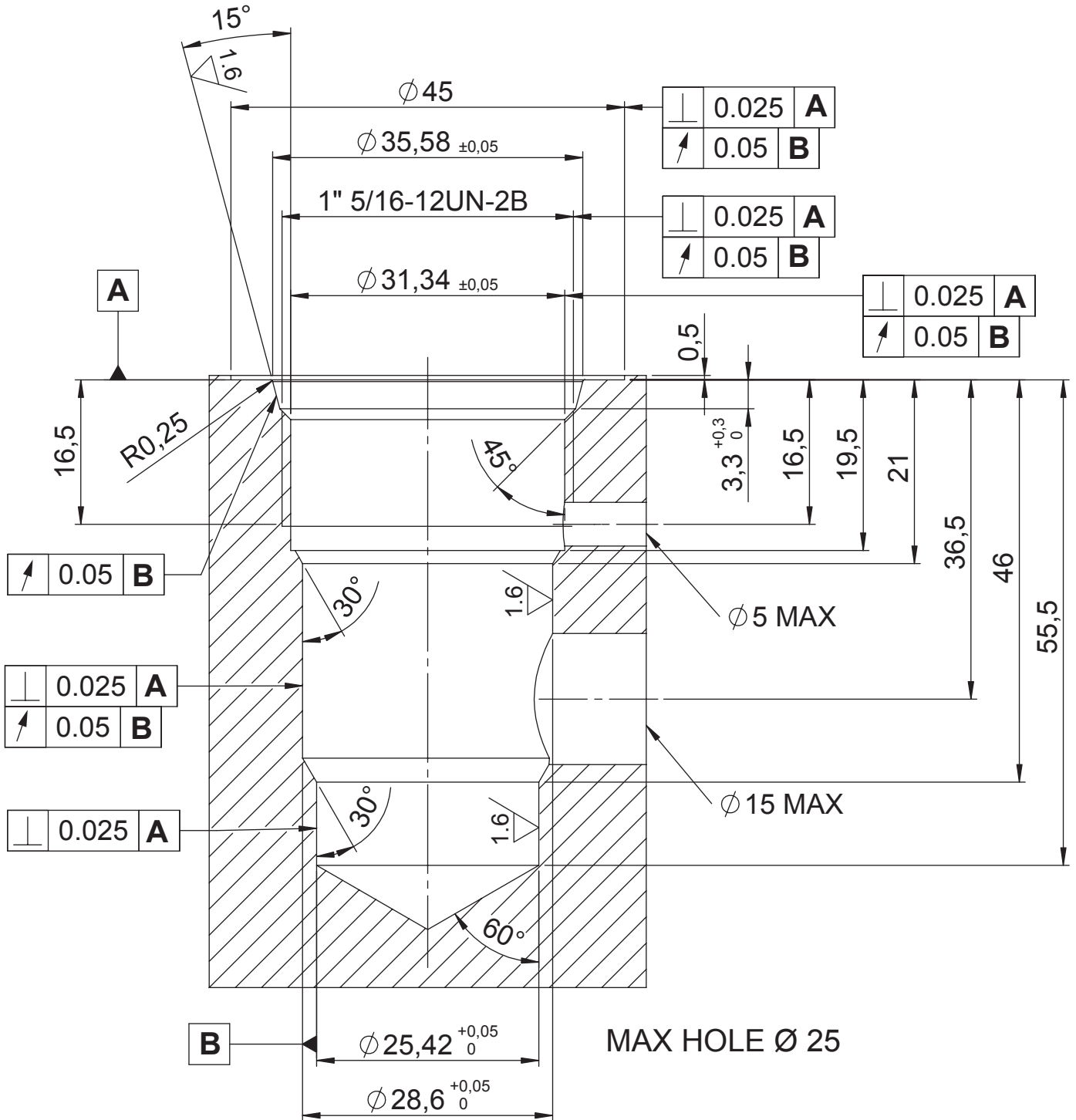


MAX HOLE Ø 19

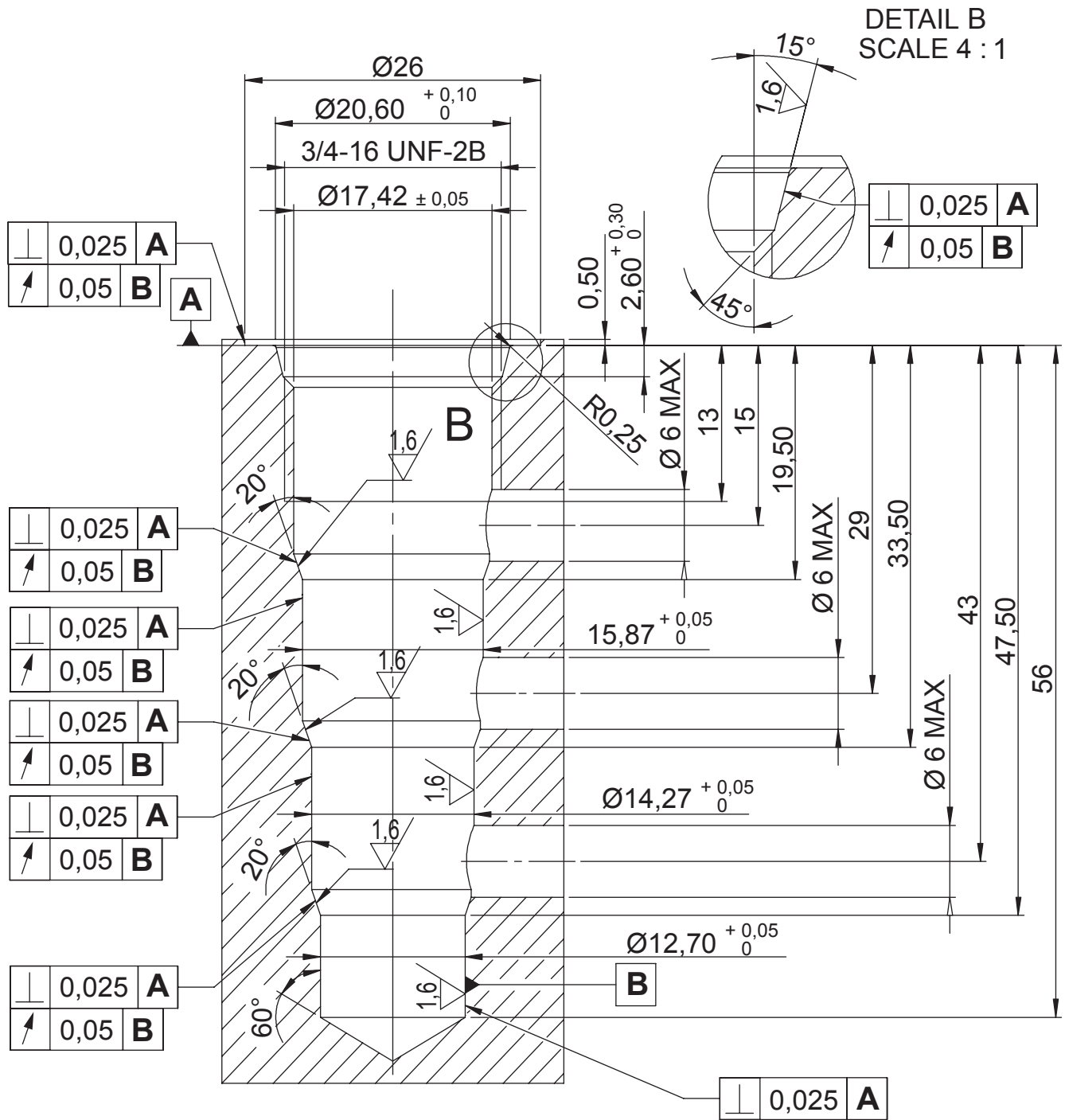
CAVITIES



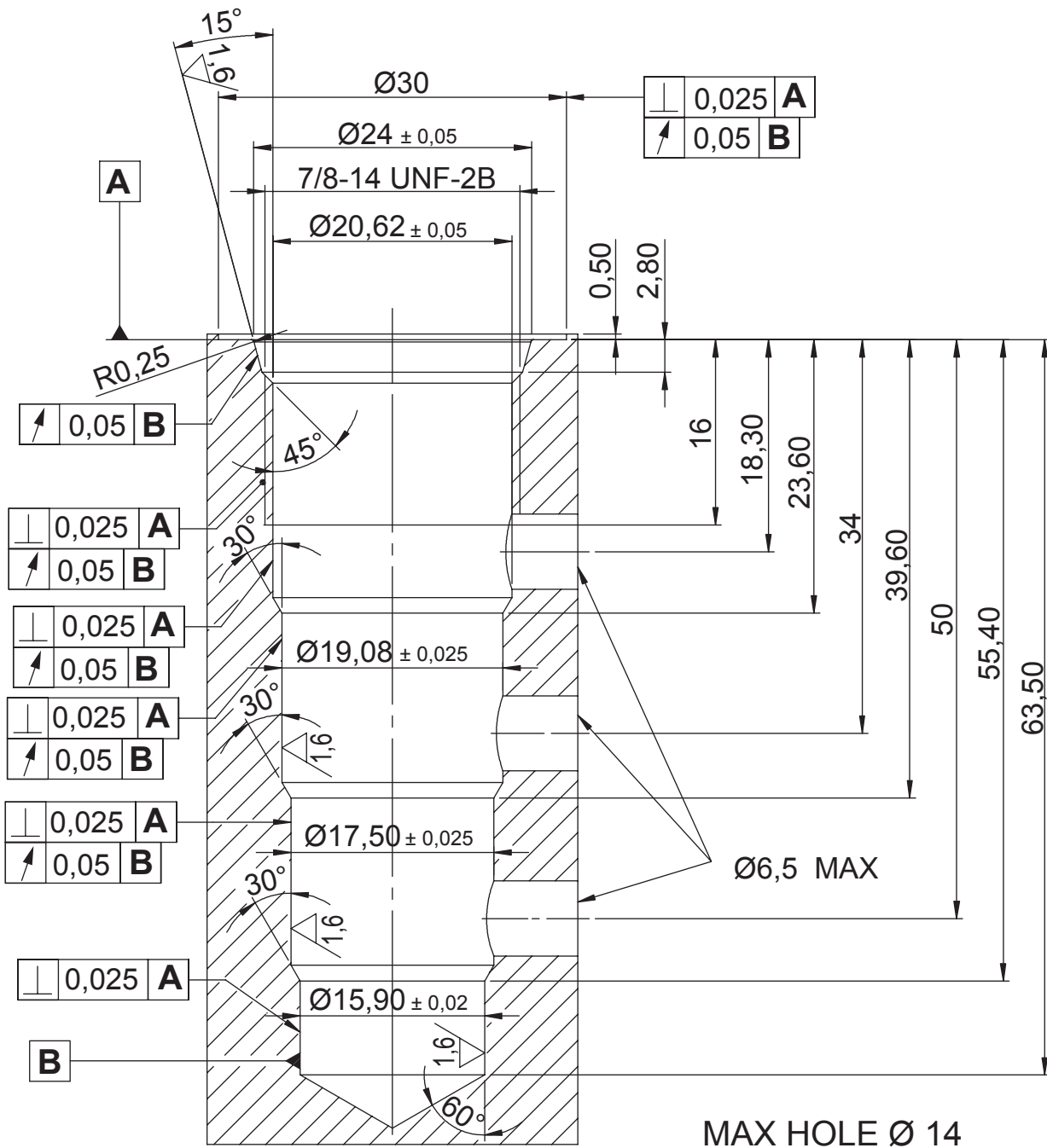
CAVITIES



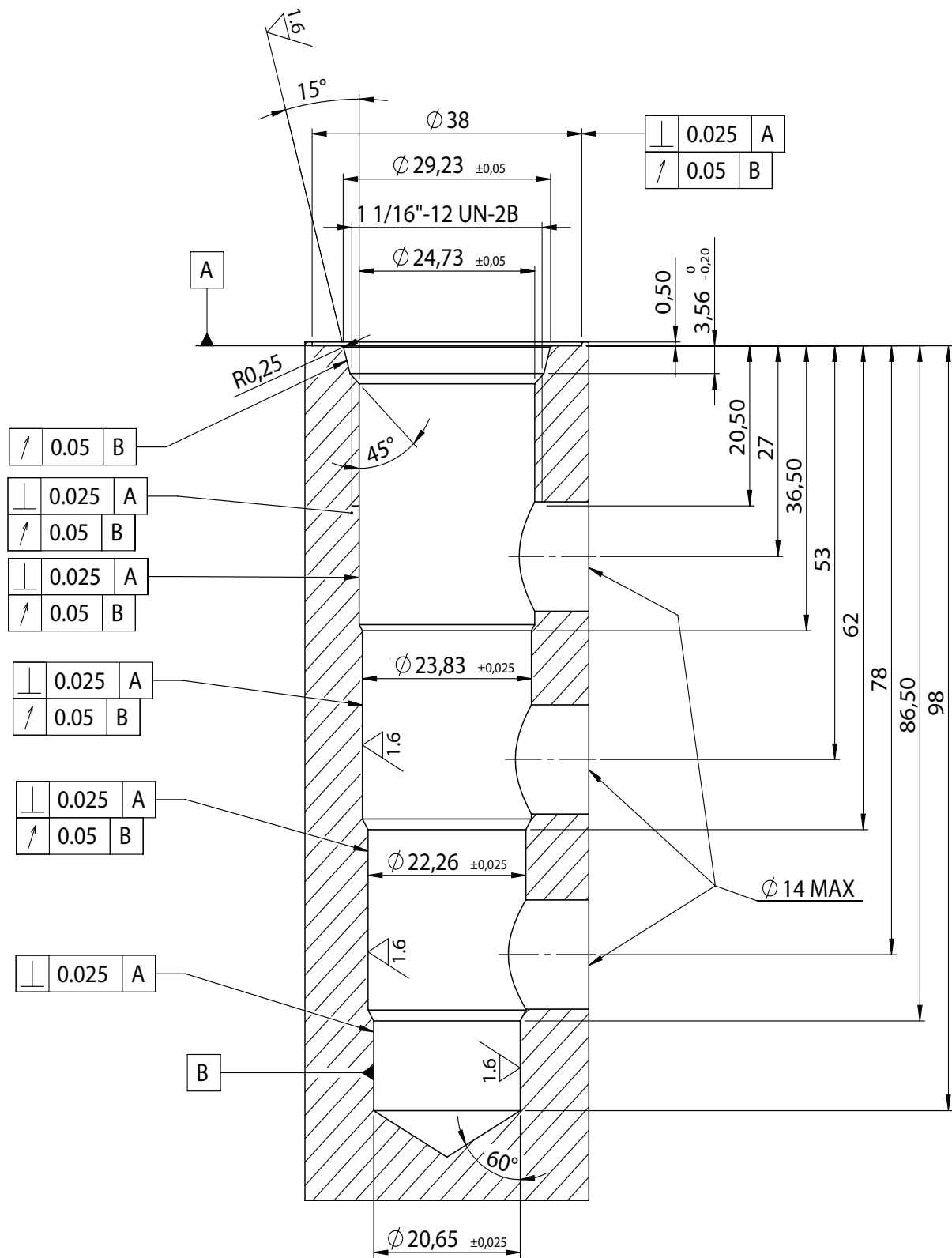
CAVITIES



CAVITIES

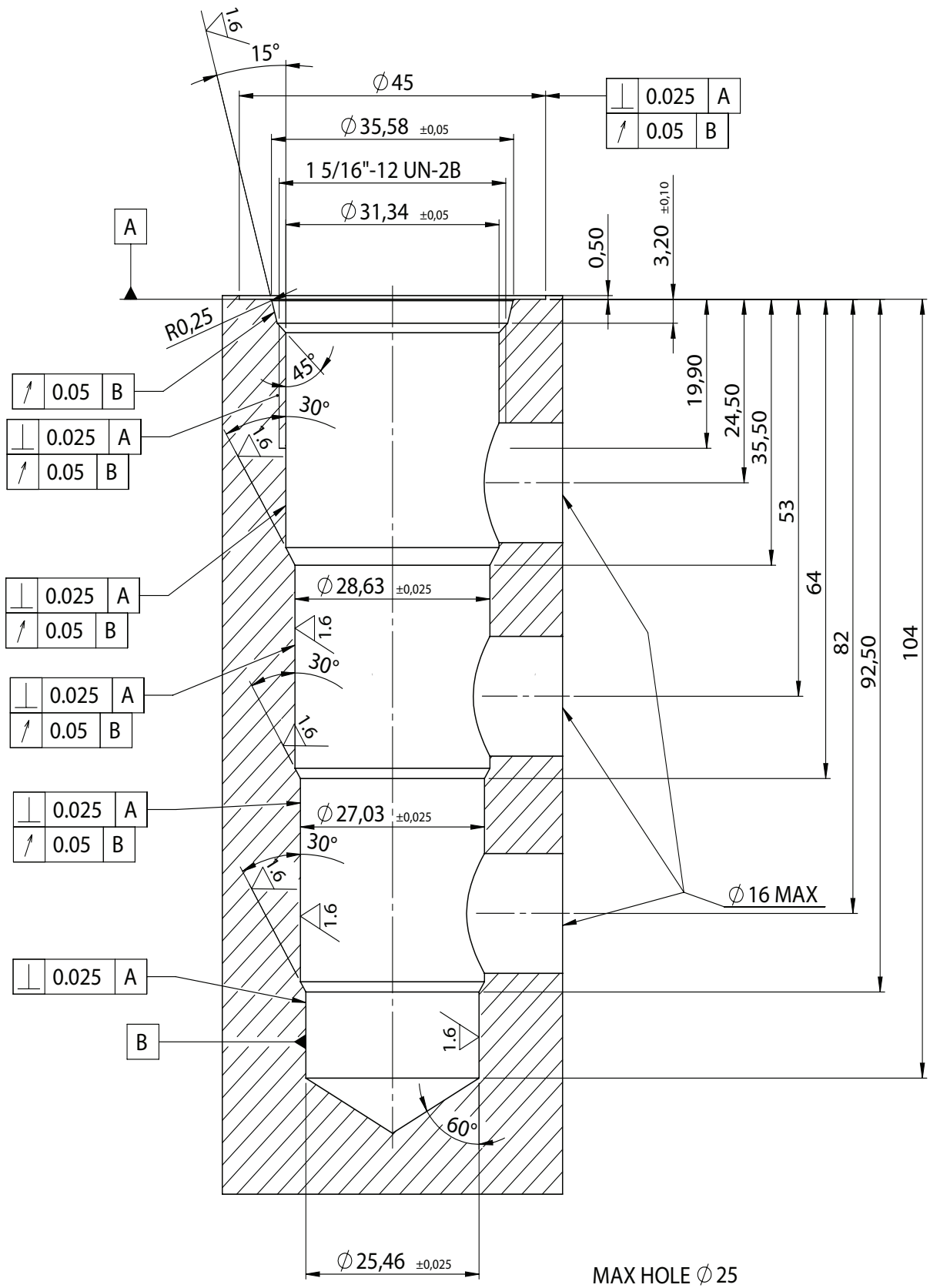


CAVITIES

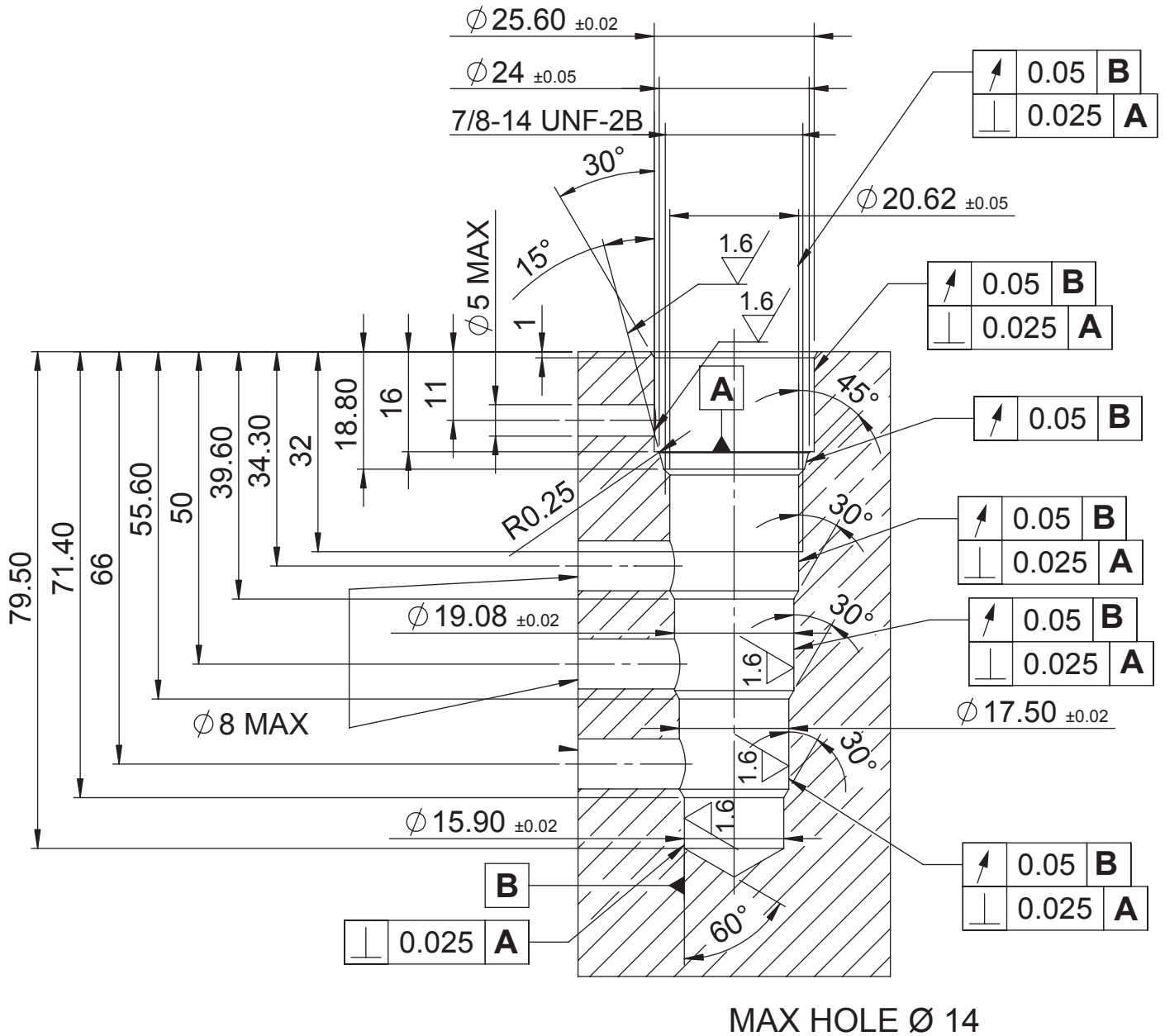


MAX HOLE $\varnothing 19$

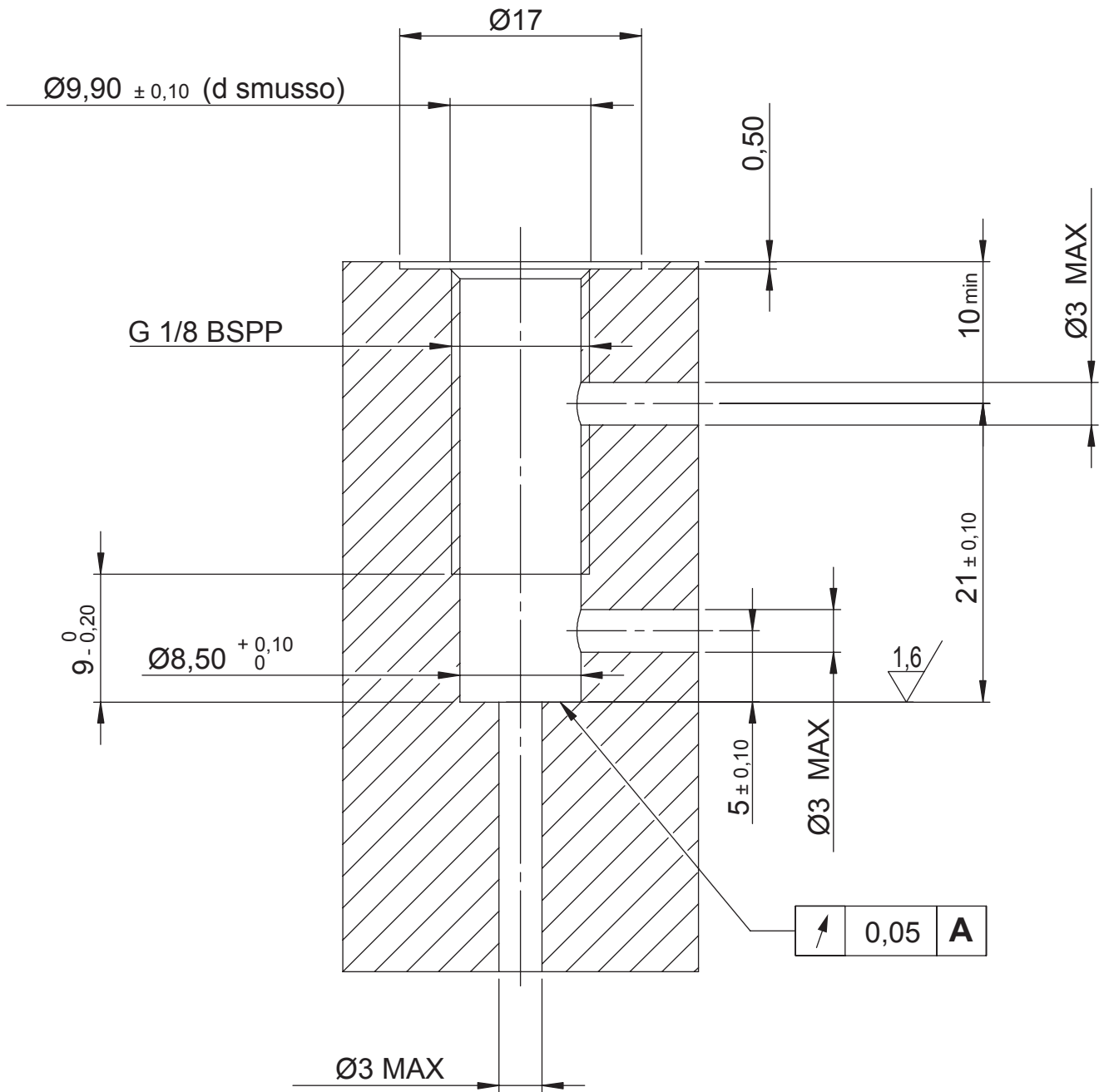
CAVITIES



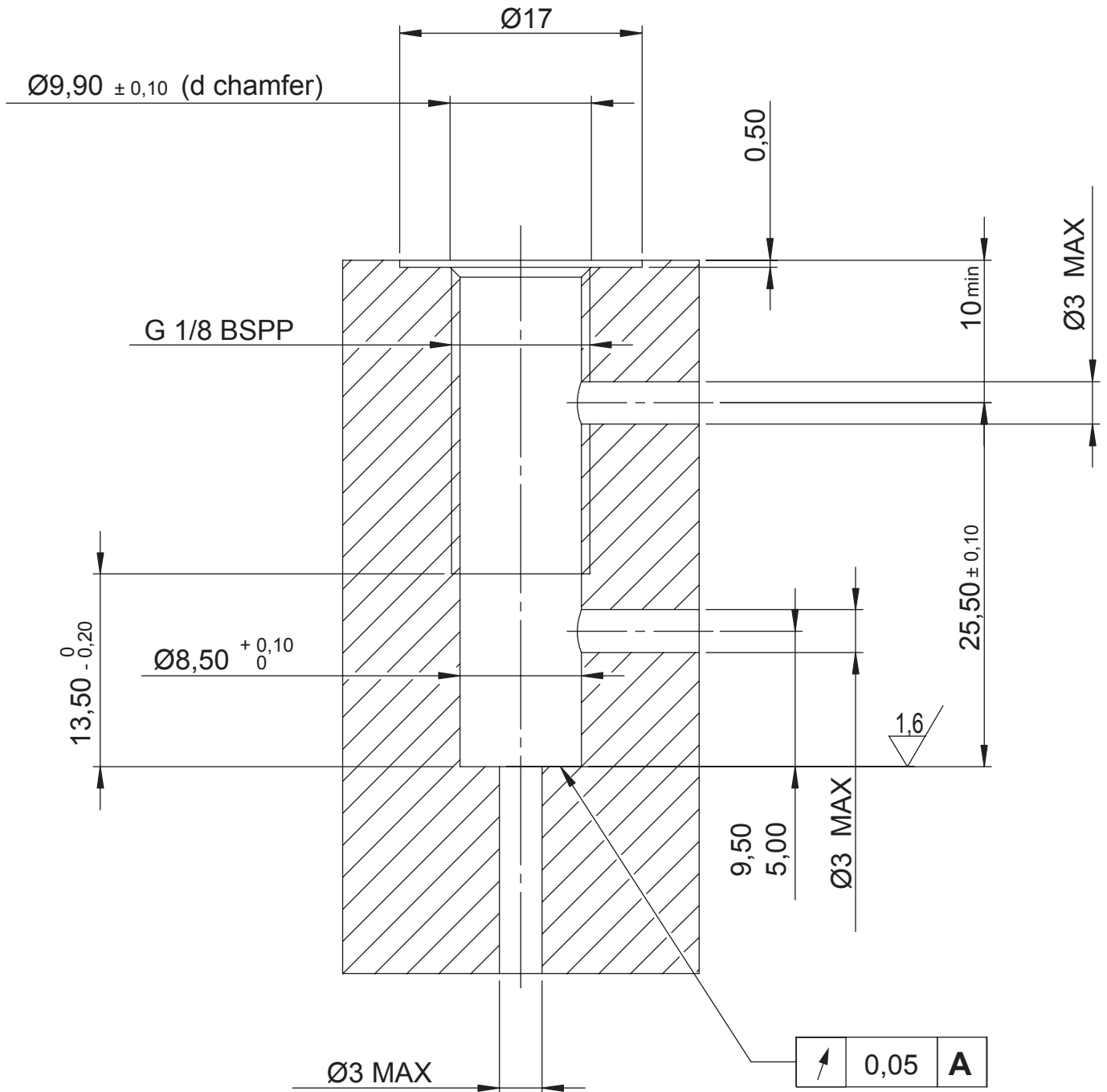
CAVITIES



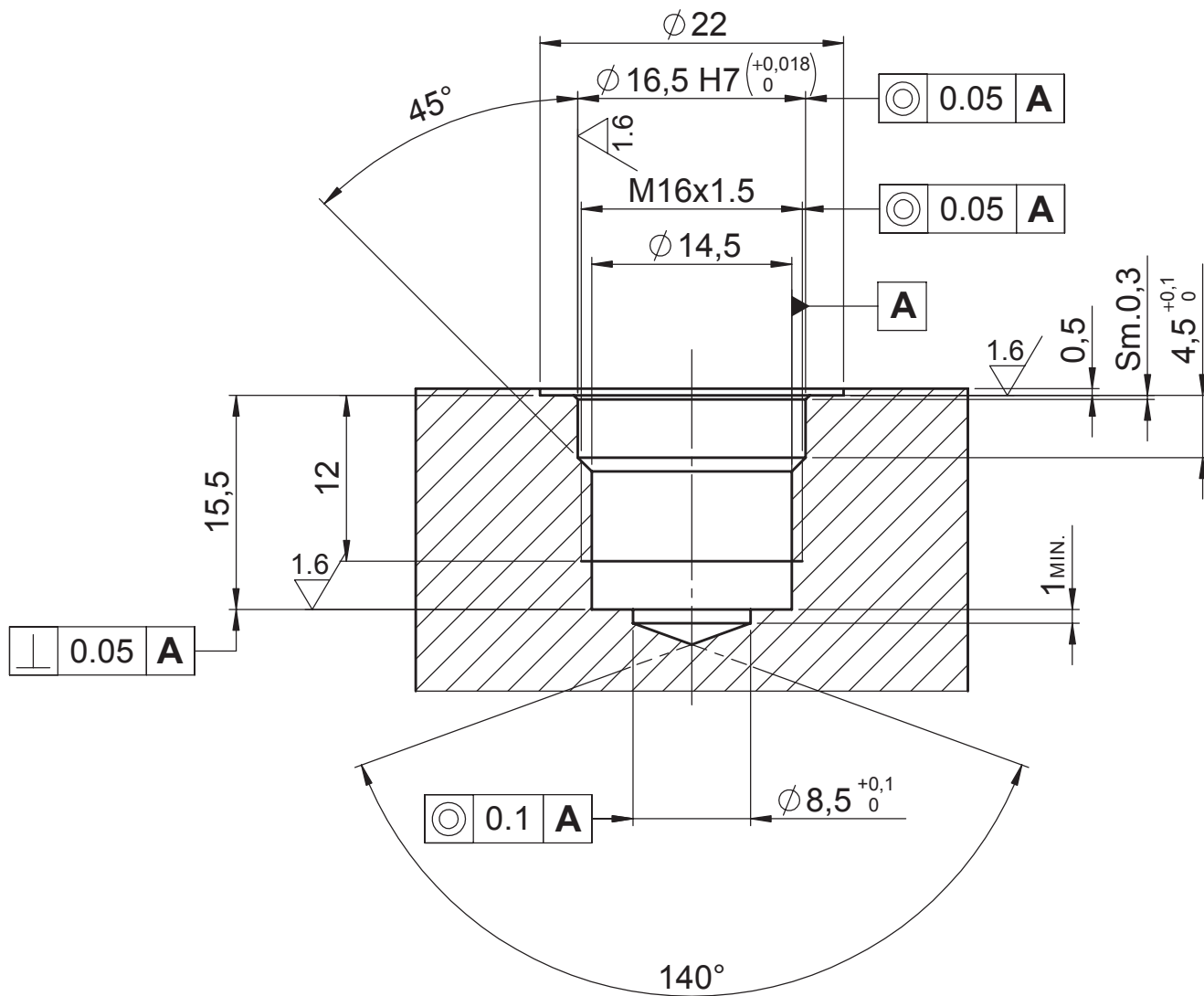
CAVITIES



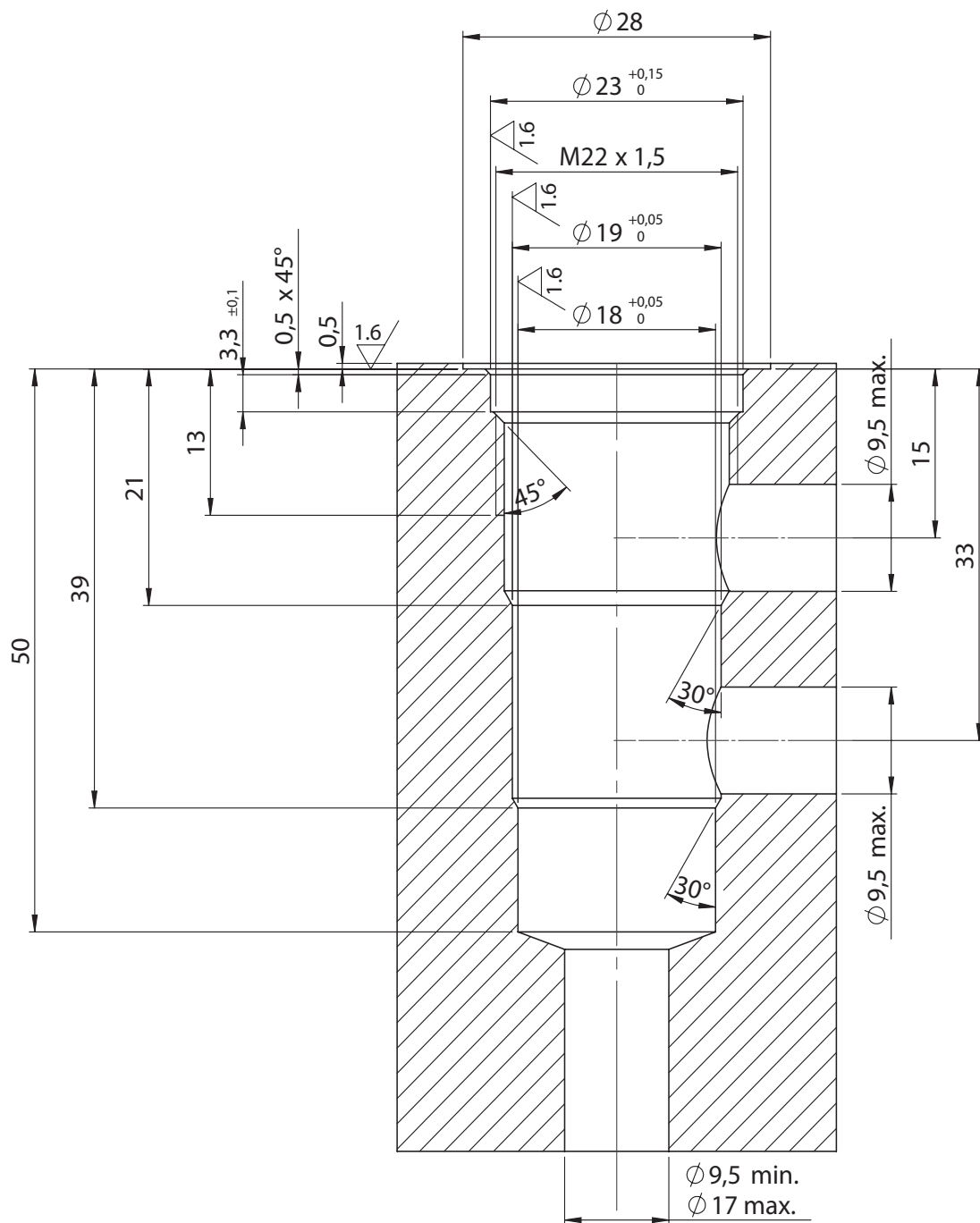
CAVITIES



CAVITIES



CAVITIES



CAVITIES

