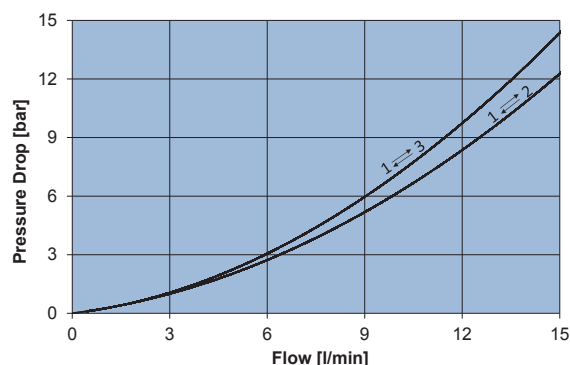
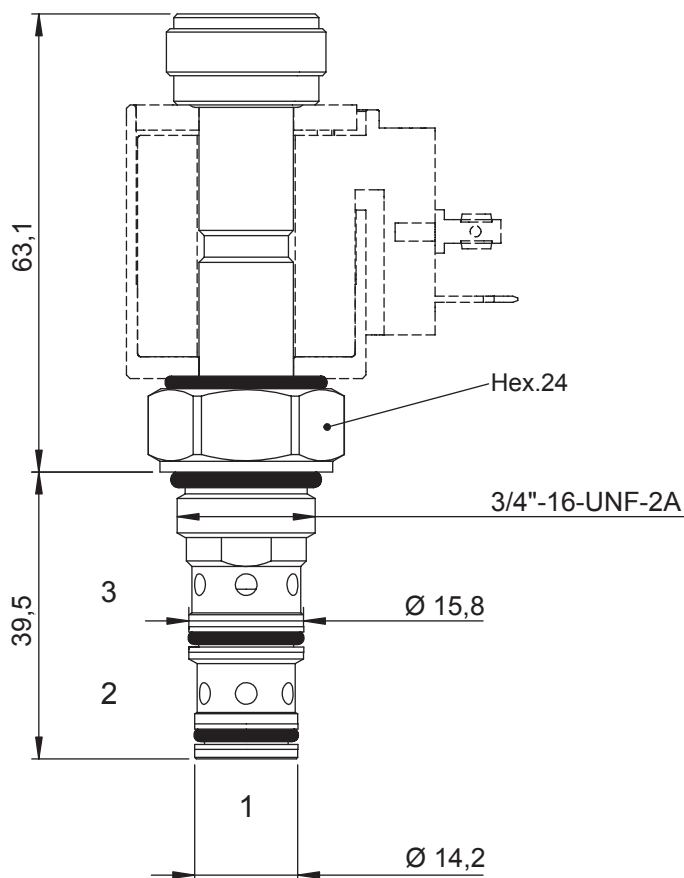
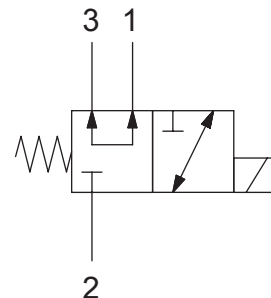


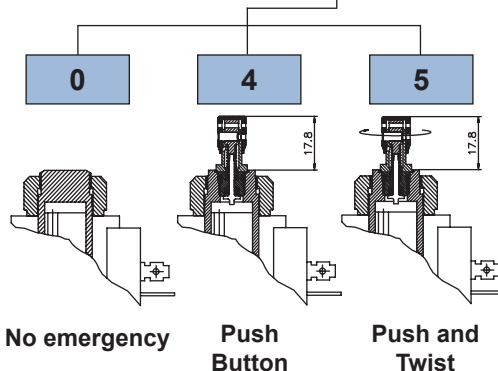
3 WAY 2 POSITION ELECTRIC SPOOL VALVE, DIRECT ACTING

- Max working flow (P in port 1) **6 l/min**
- Max working flow (P in port 2) **15 l/min**
- Max working flow (P in port 3) **5,5 l/min**
- Max working pressure **250 bar**
- Max Leakage at 250 bar **40 cc/min**
- Seals **NBR and PTFE**
- Cartridge tightening torque **30 Nm**
- Ring nut tightening torque **5 Nm**
- Weight (with coil) **0,35 Kg**
- Cavity **C320000** page **218**
- Body **171212** page **187**
- Coil (to be ordered separately) **09400** page **179**



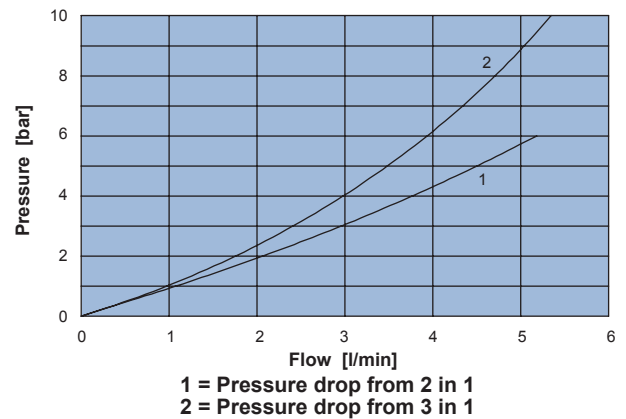
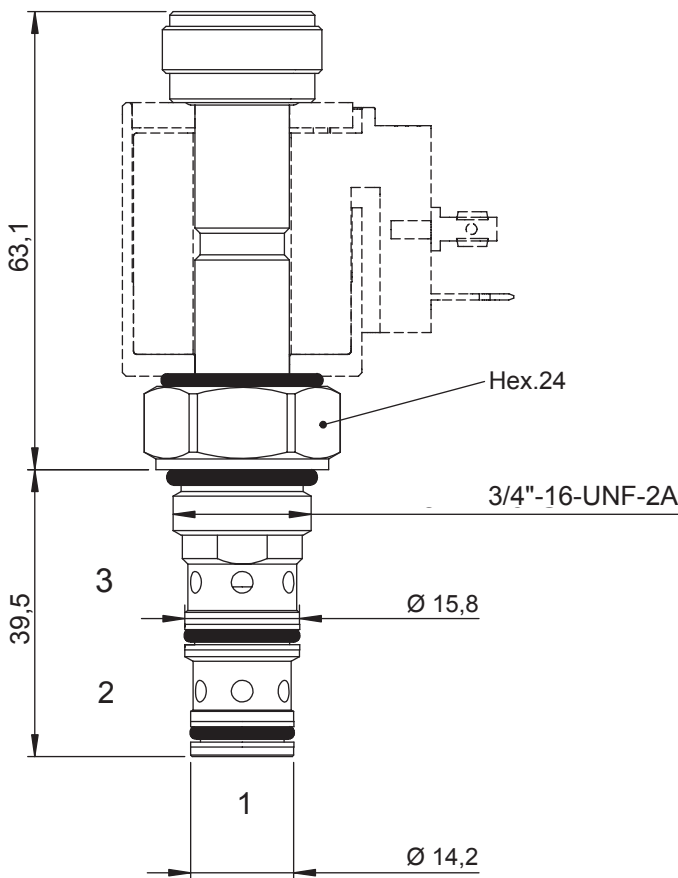
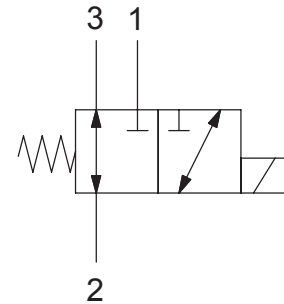
Ordering code

0 4 0 2 1 0 0 [] 0 0



3 WAY 2 POSITION ELECTRIC SPOOL VALVE, DIRECT ACTING - LOW PRESSURE

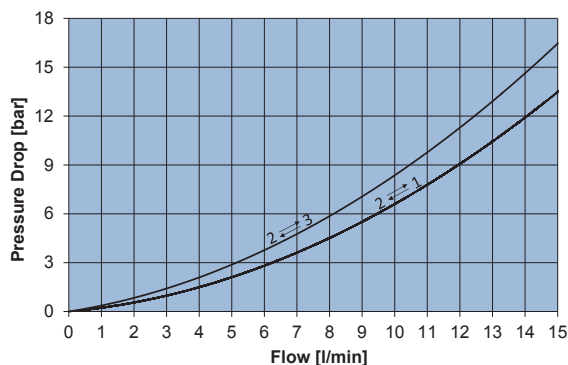
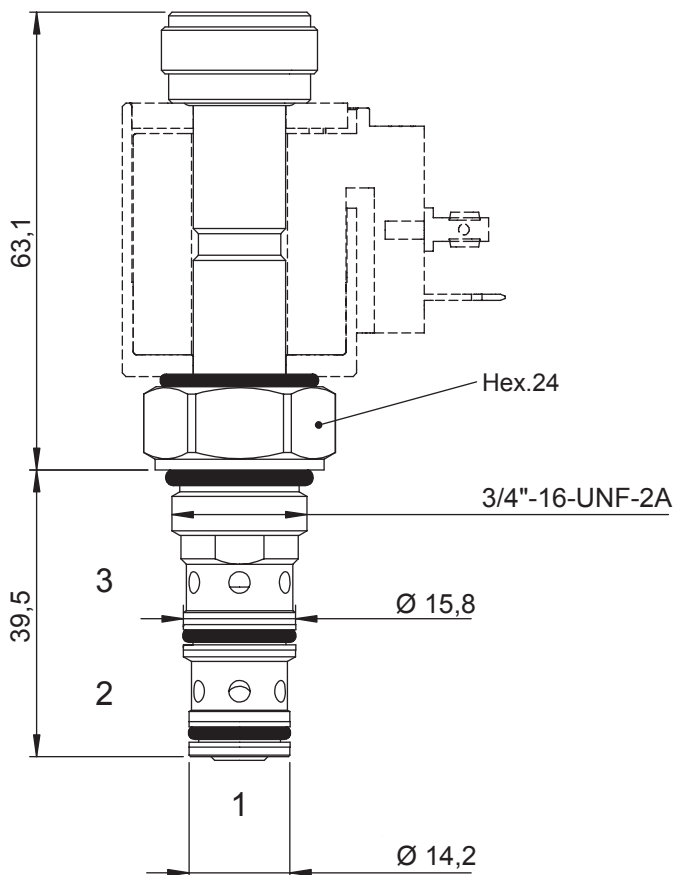
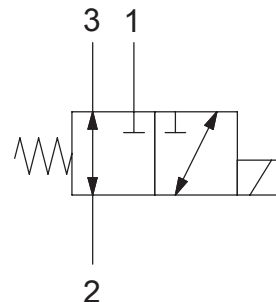
- Flow **5 l/min**
- Max working pressure..... **50 bar**
- Leakage **20 cc/min**
- Seals **NBR**
- Cartridge tightening torque..... **30 Nm**
- Ring nut tightening torque **5 Nm**
- Weight (with coil)..... **0,35 Kg**
- Cavity **C320000** page 218
- Body..... **171212** page 187
- Coil (to be ordered separately) **09400** page 179



Ordering code
0 4 0 2 3 1 0 0 0 1

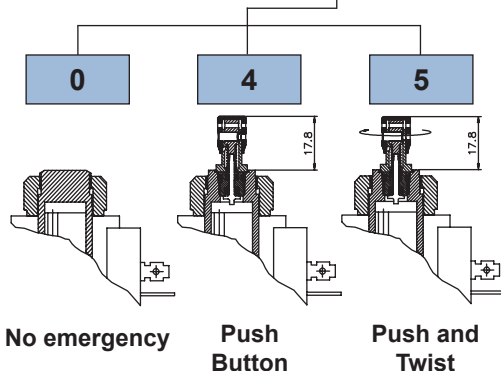
3 WAY 2 POSITION ELECTRIC SPOOL VALVE, DIRECT ACTING

- Max working flow (P in port 1) 7 l/min
- Max working flow (P in port 2) 15 l/min
- Max working flow (P in port 3) 15 l/min
- Max working pressure 250 bar
- Max Leakage at 250 bar 40 cc/min
- Seals NBR and PTFE
- Cartridge tightening torque 30 Nm
- Ring nut tightening torque 5 Nm
- Weight (with coil) 0,35 Kg
- Cavity **C320000** page 218
- Body **171212** page 187
- Coil (to be ordered separately) **09400** page 179



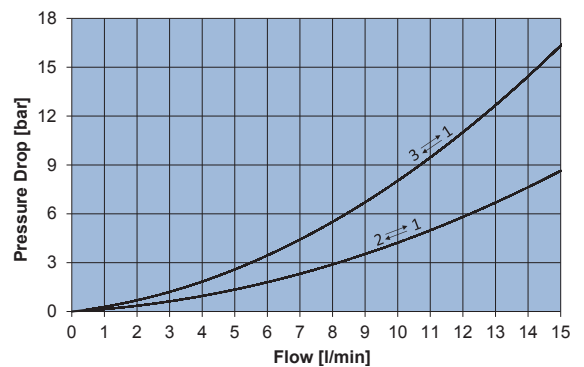
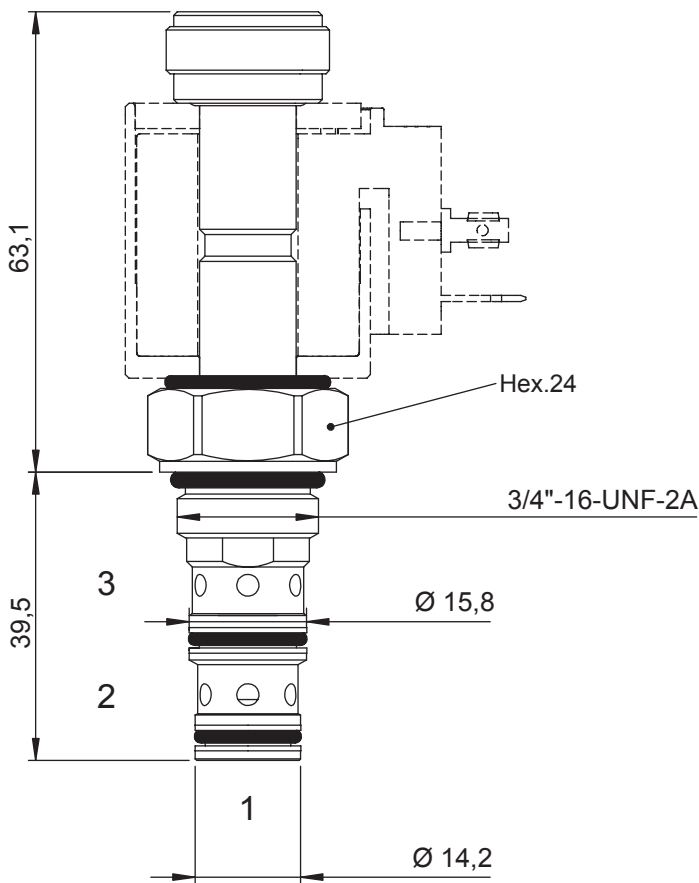
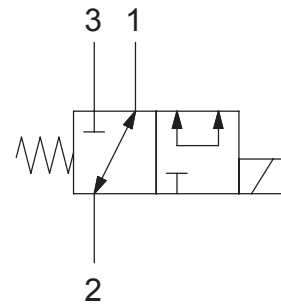
Ordering code

0 4 0 2 3 0 0 [] 0 0



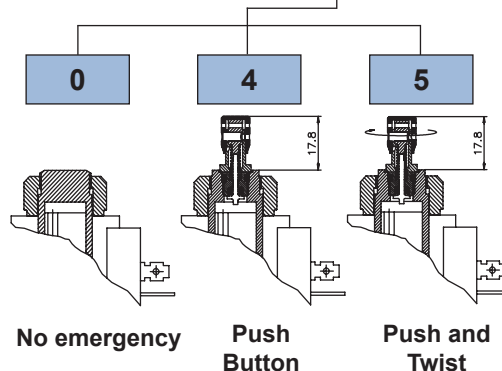
3 WAY 2 POSITION ELECTRIC SPOOL VALVE, DIRECT ACTING

- Max working flow (P in port 1) 7 l/min
- Max working flow (P in port 2) 15 l/min
- Max working flow (P in port 3) 15 l/min
- Max working pressure 250 bar
- Max Leakage at 250 bar 40 cc/min
- Seals NBR and PTFE
- Cartridge tightening torque 30 Nm
- Ring nut tightening torque 5 Nm
- Weight (with coil) 0,35 Kg
- Cavity **C320000** page 218
- Body **171212** page 187
- Coil (to be ordered separately) **09400** page 179



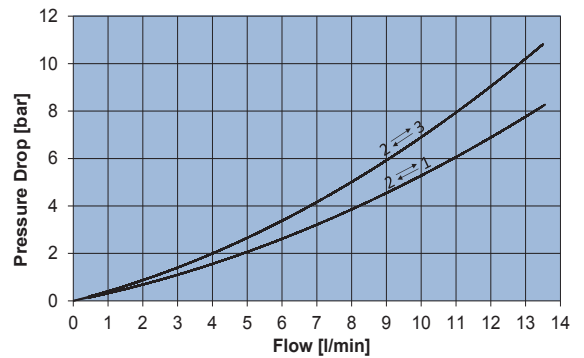
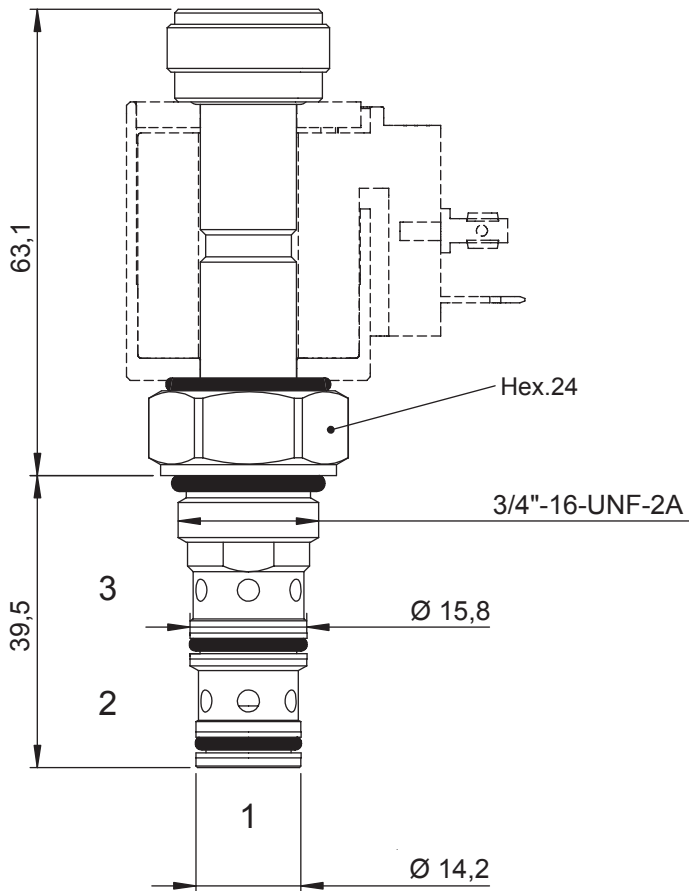
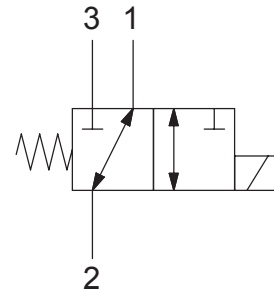
Ordering code

0 4 0 2 4 0 0 [] 0 0



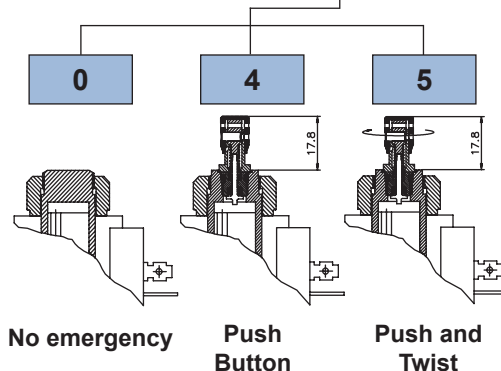
3 WAY 2 POSITION ELECTRIC SPOOL VALVE, DIRECT ACTING

- Max working flow (P in port 1) 7 l/min
- Max working flow (P in port 2) 13,5 l/min
- Max working flow (P in port 3) 5,5 l/min
- Max working pressure 250 bar
- Max Leakage at 250 bar 40 cc/min
- Seals NBR and PTFE
- Cartridge tightening torque 30 Nm
- Ring nut tightening torque 5 Nm
- Weight (with coil) 0,35 Kg
- Cavity **C320000** page 218
- Body **171212** page 187
- Coil (to be ordered separately) **09400** page 179



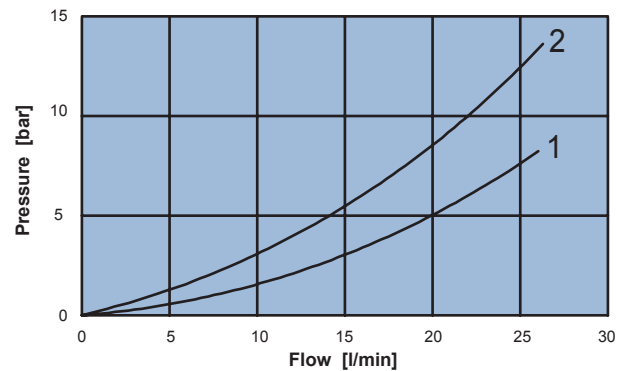
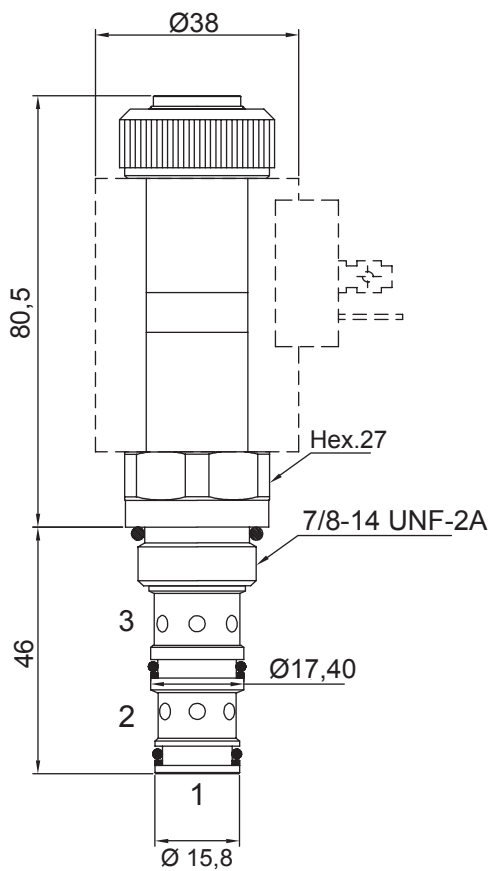
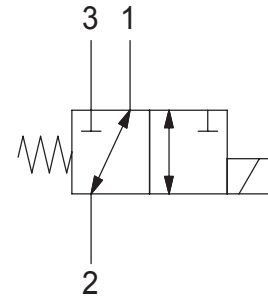
Ordering code

0 4 0 2 2 0 0 [] 0 0

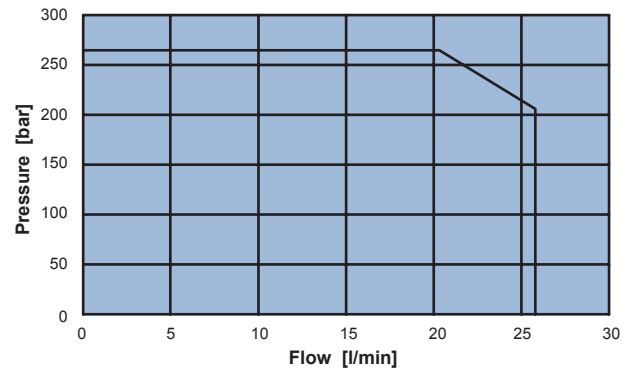


3 WAY 2 POSITION ELECTRIC SPOOL VALVE, DIRECT ACTING

- Flow**.20 l/min**
- Max working pressure.....**.250 bar**
- Leakage**.100 cc/min**
- Seals**NBR and PTFE**
- Cartridge tightening torque.....**40 Nm**
- Ring nut tightening torque**5 Nm**
- Weight (with coil).....**.0,56 Kg**
- Cavity**C330000** page 220
- Body.....**171312** page 192
- Coil (to be ordered separately)**09801** page 181



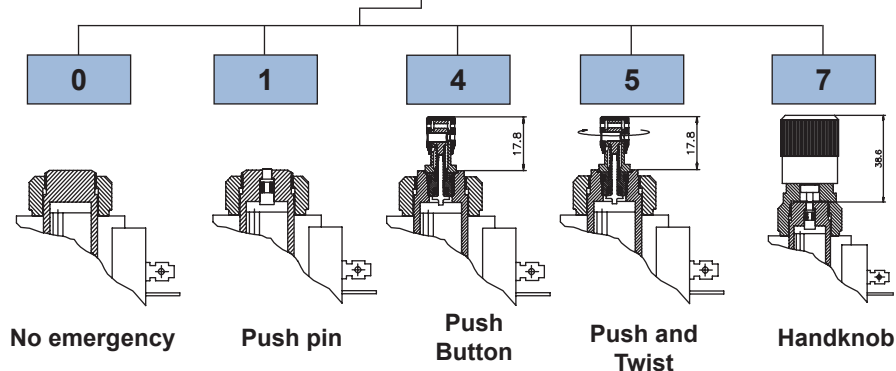
1 = Pressure drop from 2 in 1
2 = Pressure drop from 3 in 2



Application limits from 2 in 1 and 2 in 3

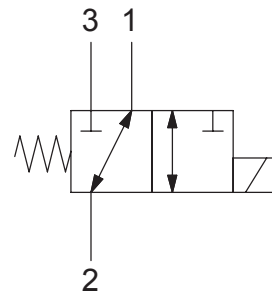
Ordering code

0 4 0 3 2 0 0 0 0



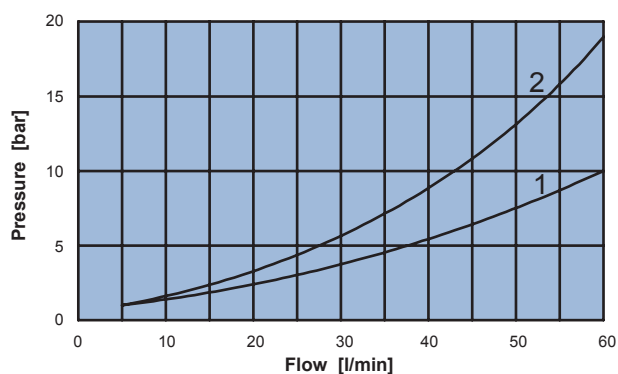
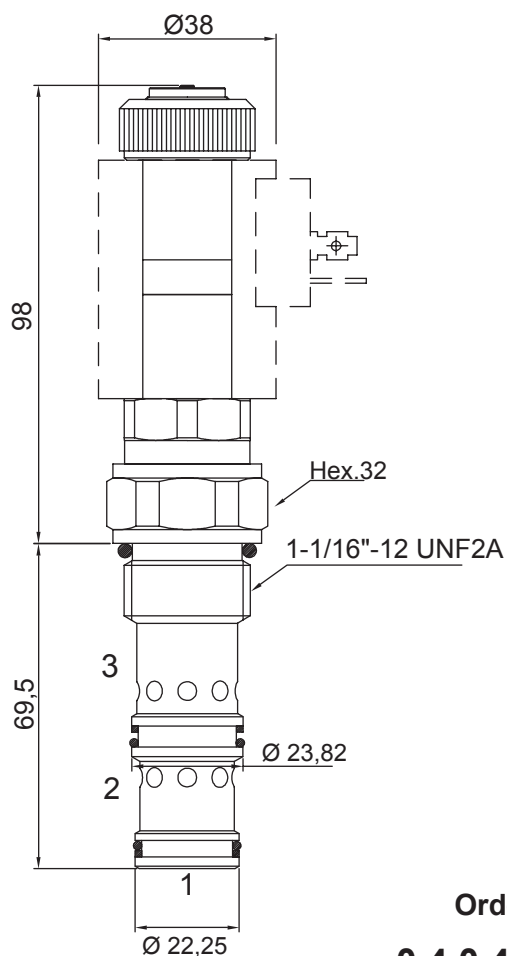
3 WAY 2 POSITION ELECTRIC SPOOL VALVE, DIRECT ACTING

- Flow **50 l/min**
- Max working pressure in 1:2:3 **250 bar**
- Leakage **150 cc/min**
- Seals **NBR and PTFE**
- Cartridge tightening torque **50 Nm**
- Ring nut tightening torque **5 Nm**
- Weight (with coil) **0,70 Kg**
- Cavity **C340000** page 222
- Body **171412** page 197
- Coil (to be ordered separately) **09800** page 180

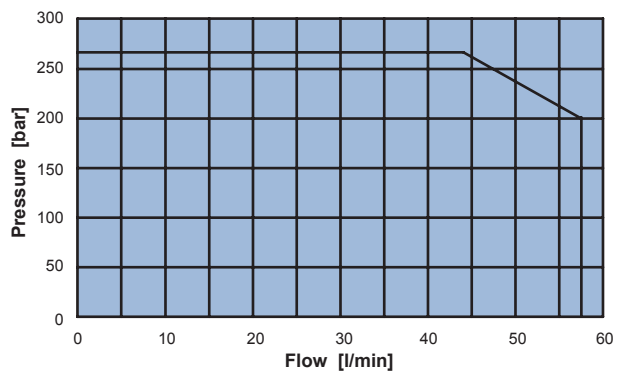


Note: proportional coil 09800 applied to provide the operating needed power (ED 50%).

For ED 100% contact NEM customer care service.



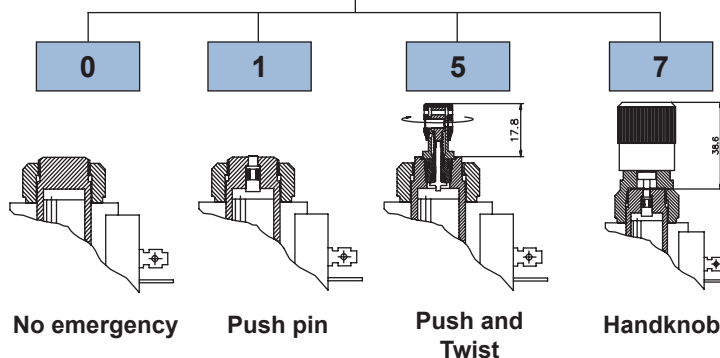
1 = Pressure drop from 2 in 1
2 = Pressure drop from 3 in 2



Application limits from 2 in 1 and 2 in 3

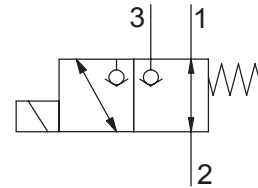
Ordering code

0 4 0 4 2 0 0 [] 0 0



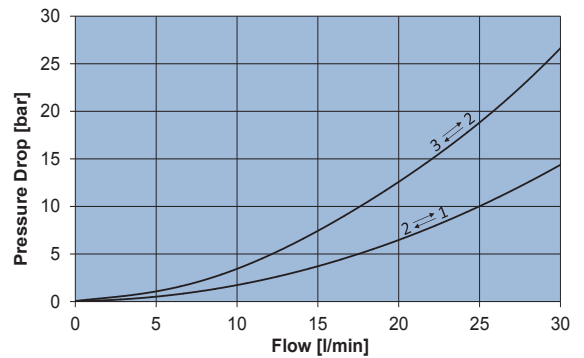
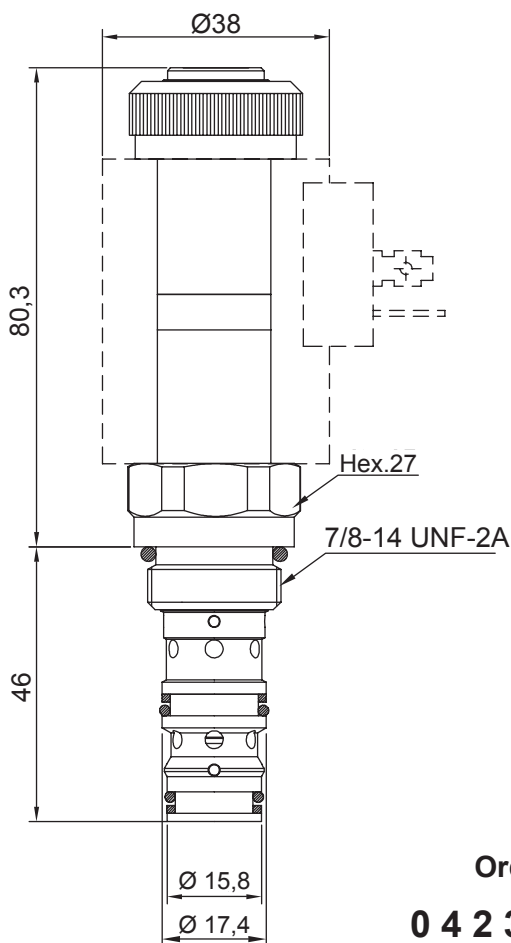
3 WAY 2 POSITION ELECTRIC POPPET VALVE, DIRECT ACTING

- Flow **30 l/min**
- Max working pressure in 3:2:1 **350 bar**
- Leakage **0,25 cc/min**
- Seals **NBR and PTFE**
- Cartridge tightening torque **40 Nm**
- Ring nut tightening torque **5 Nm**
- Weight (with coil) **0,56 Kg**
- Cavity **C330000** page 220
- Body **171312** page 192
- Coil (to be ordered separately) **09800** page 180



Note: proportional coil 09800 applied to provide the operating needed power (ED 50%).

For ED 100% contact NEM customer care service.



Ordering code

0 4 2 3 2 0 0 0 0

