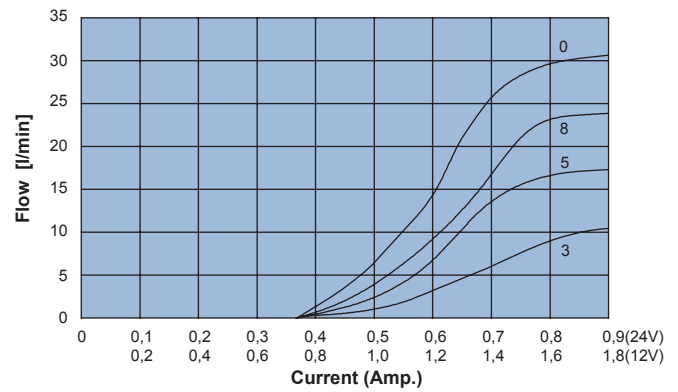
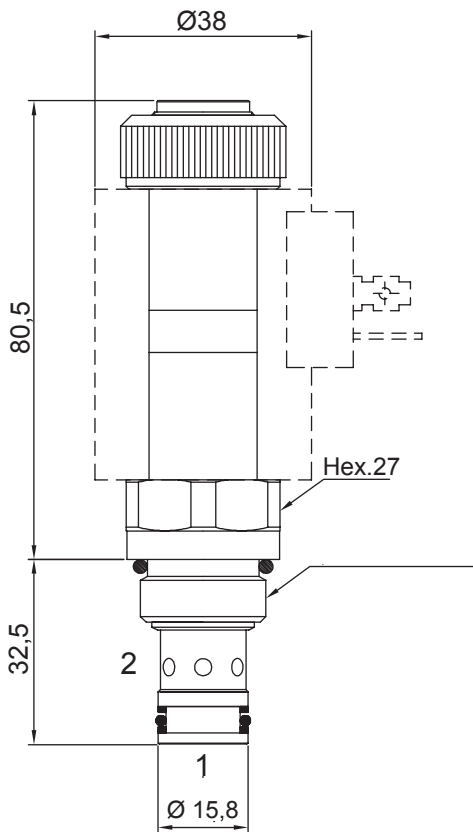
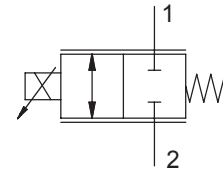
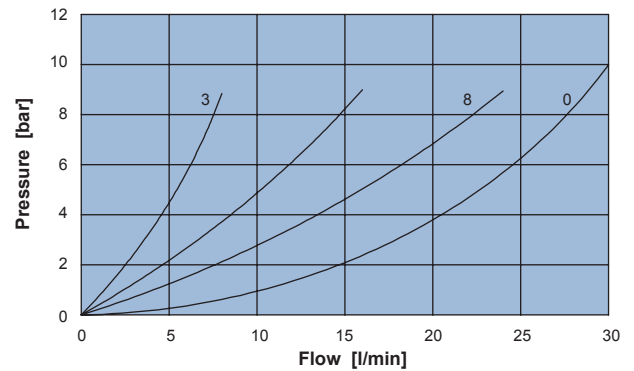


2 WAY NORMALLY CLOSED SPOOL VALVE, ELECTRO-PROPORTIONAL FLOW CONTROL

- Flow **30 l/min**
- Max working pressure in 1:2. **350 bar**
- Application limits with Δp max from 1 to 2. **15 bar**
- Leakage **150 cc/min**
- Seals **NBR and PTFE**
- Max current at 12 Vcc **1800mA**
- Max current at 24 Vcc **900mA**
- PWM **120 Hz**
- Hysteresis. **5%**
- Cartridge tightening torque **40 Nm**
- Ring nut tightening torque **4 Nm**
- Weight (with coil) **0,48 Kg**
- Cavity **C230000** page 210
- Body **171302** page 191
- Coil (to be ordered separately) **09800** page 180



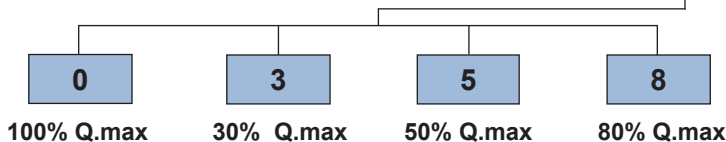
Graph flow/current with Δp from 1 to 2 of 7 bar



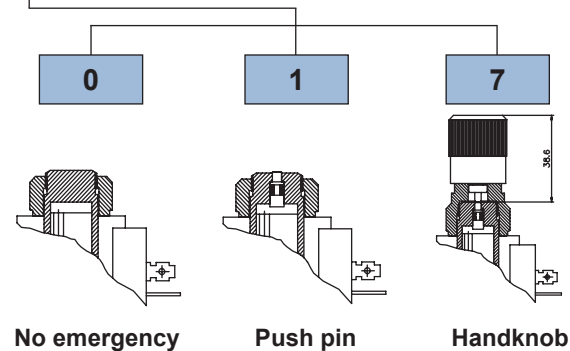
Pressure drop with energized coil

Ordering code

0 3 4 3 1 [] 0 [] 0 1



Flow range



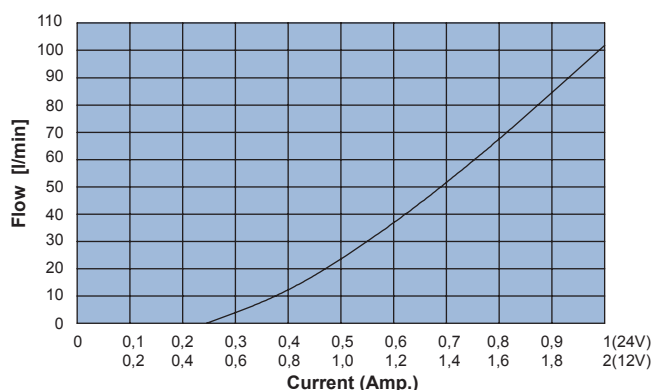
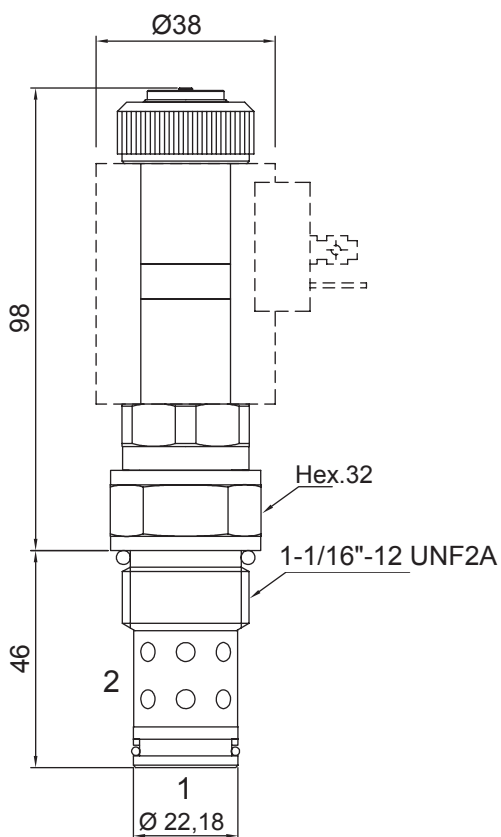
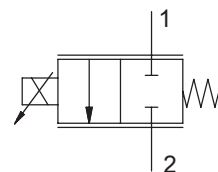
No emergency

Push pin

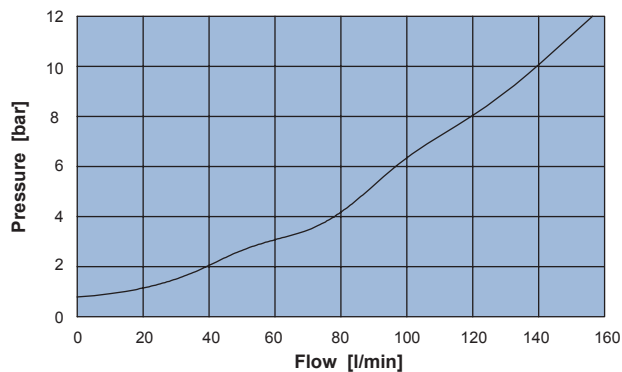
Handknob

2 WAY NORMALLY CLOSED SPOOL VALVE, ELECTRO-PROPORTIONAL FLOW CONTROL

- Flow **75 l/min**
- Max working pressure in 1:2 **.350 bar**
- Application limits with Δp max from 1 to 2 **10 bar**
- Leakage **150 cc/min**
- Seals **NBR and PTFE**
- Max current at 12 Vcc **1800mA**
- Max current at 24 Vcc **900mA**
- PWM **120 Hz**
- Hysteresis **5%**
- Cartridge tightening torque **.50 Nm**
- Ring nut tightening torque **.4 Nm**
- Weight (with coil) **0,61 Kg**
- Cavity **C240001** page 214
- Coil (to be ordered separately) **09800** page 180



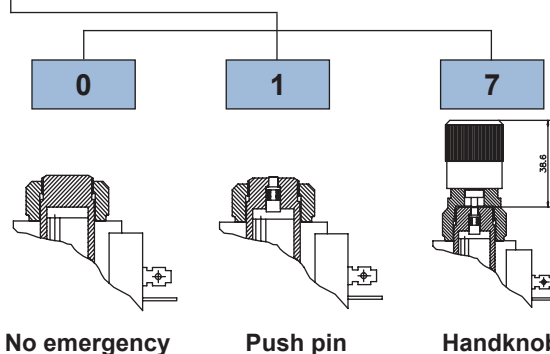
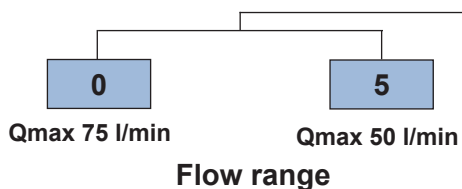
Graph flow/current with Δp from 1 to 2 of 5 bar



Pressure drop from 1 to 2

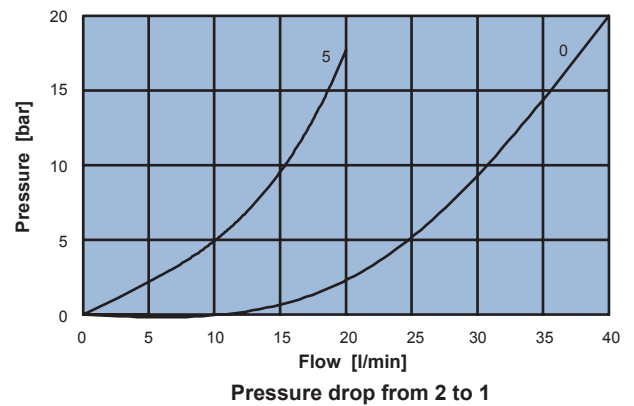
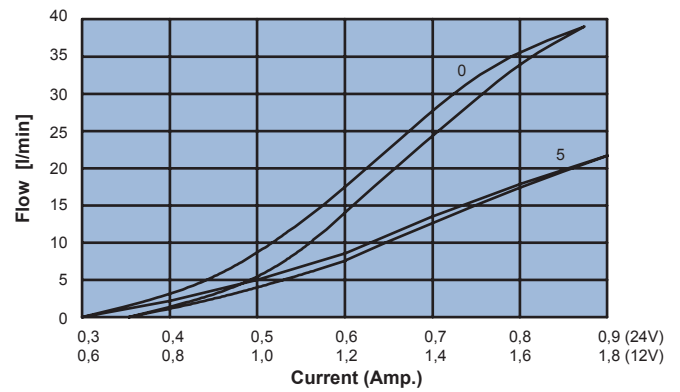
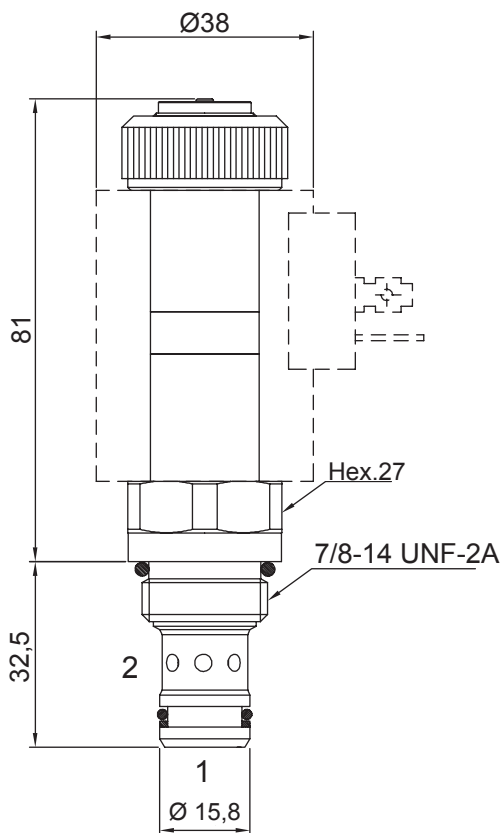
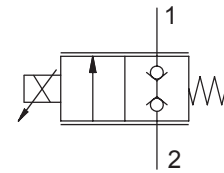
Ordering code

0 3 4 4 1 **0** **0 1**



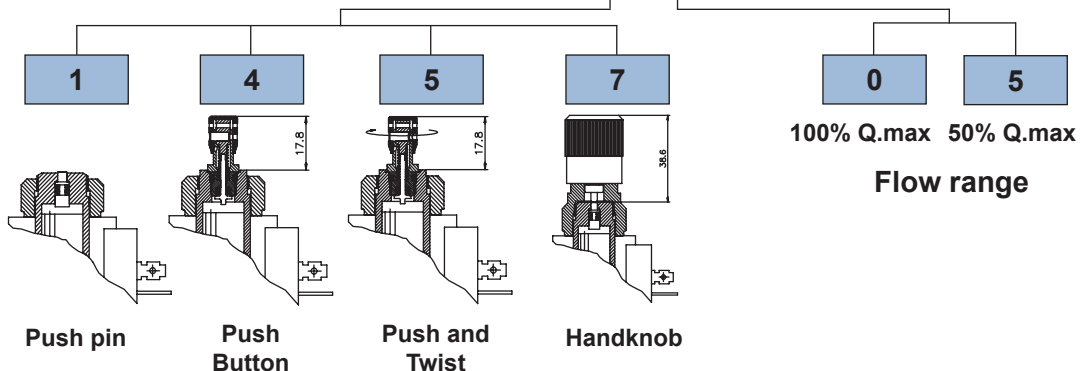
2 WAY NORMALLY CLOSED POPPET VALVE, ELECTRO-PROPORTIONAL FLOW CONTROL

- Flow **40 l/min**
- Max working pressure in 1:2 **250 bar**
- Leakage **0,25 cc/min**
- Seals **NBR and PTFE**
- Max current at 12 Vcc **1800mA**
- Max current at 24 Vcc **900mA**
- PWM **120 Hz**
- Hysteresis **5%**
- Cartridge tightening torque **40 Nm**
- Ring nut tightening torque **5 Nm**
- Weight (with coil) **0,53 Kg**
- Cavity **C230000** page 210
- Body **171302** page 191
- Coil (to be ordered separately) **09800** page 180



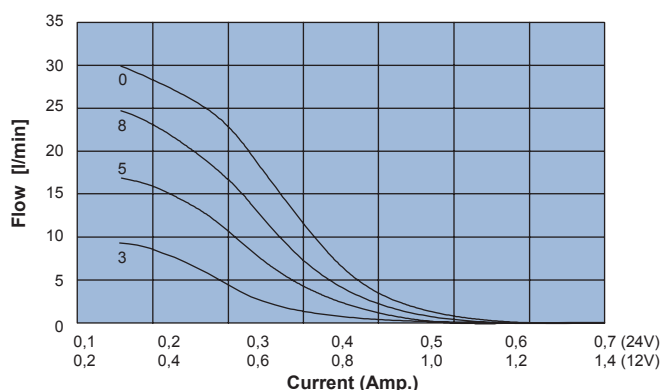
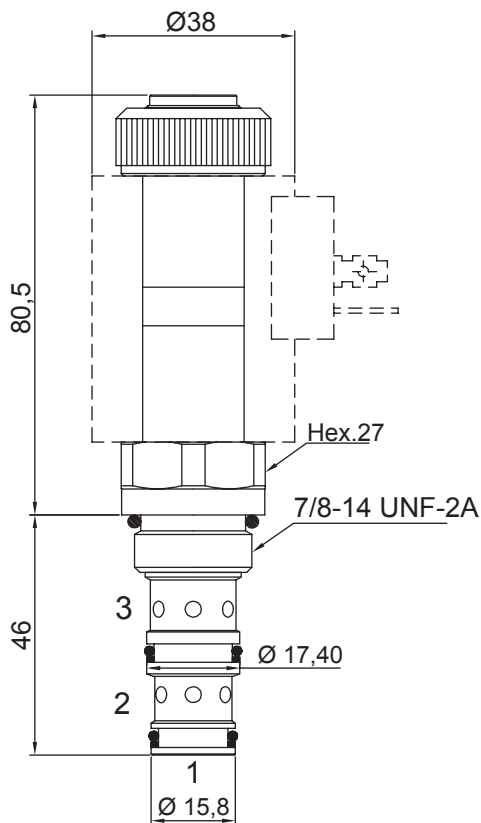
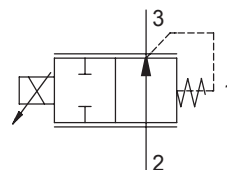
Ordering code

0 5 2 3 1 0 0 **0**

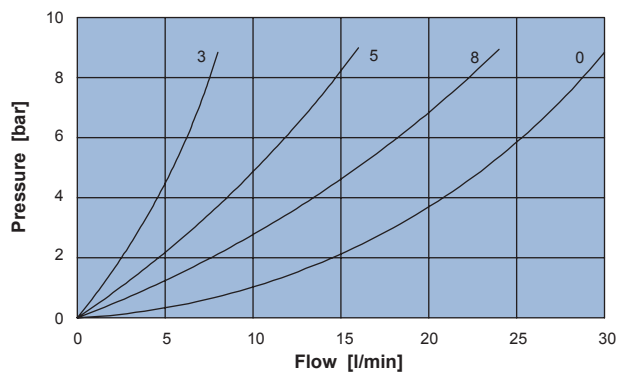


3 WAY NORMALLY OPEN SPOOL VALVE, ELECTRO-PROPORTIONAL FLOW CONTROL

- Flow **30 l/min**
- Max working pressure in 1:2:3..... **350 bar**
- Application limits with Δp max from 2 to 3..... **15 bar**
- Leakage **150 cc/min**
- Seals **NBR and PTFE**
- Max current at 12 Vcc **1800mA**
- Max current at 24 Vcc **900mA**
- PWM **120 Hz**
- Hysteresis..... **5%**
- Cartridge tightening torque **.40 Nm**
- Ring nut tightening torque **.4 Nm**
- Weight (with coil)..... **0,56 Kg**
- Cavity **C330000** page **220**
- Body..... **171312** page **192**
- Coil (to be ordered separately) **09800** page **180**



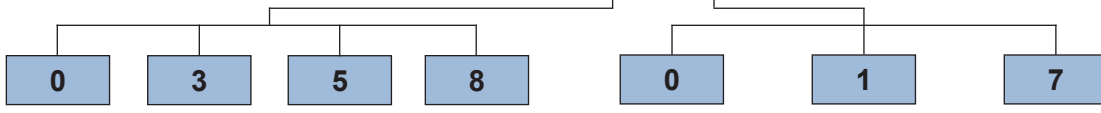
Graph flow/current with Δp from 2 to 3 of 7 bar



Pressure drop with de-energized coil

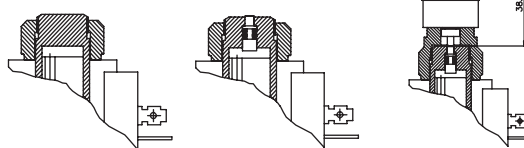
Ordering code

0 3 5 3 4 **0** **0 1**



100% Q.max 30% Q.max 50% Q.max 80% Q.max

Flow range

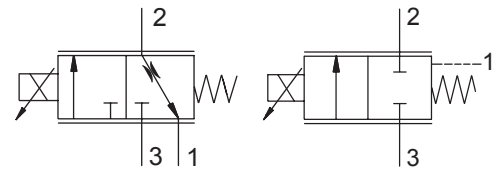


No emergency Push pin Handknob

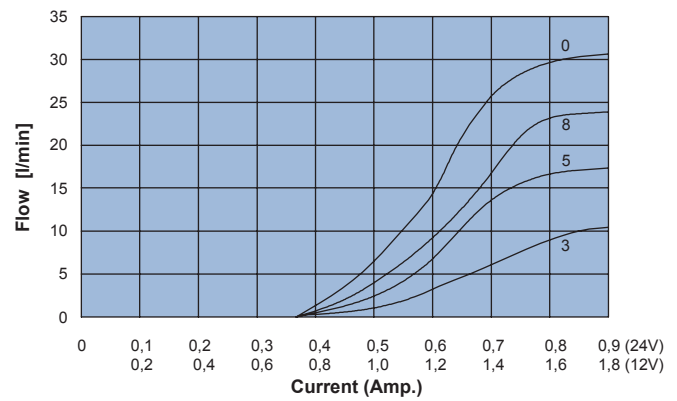
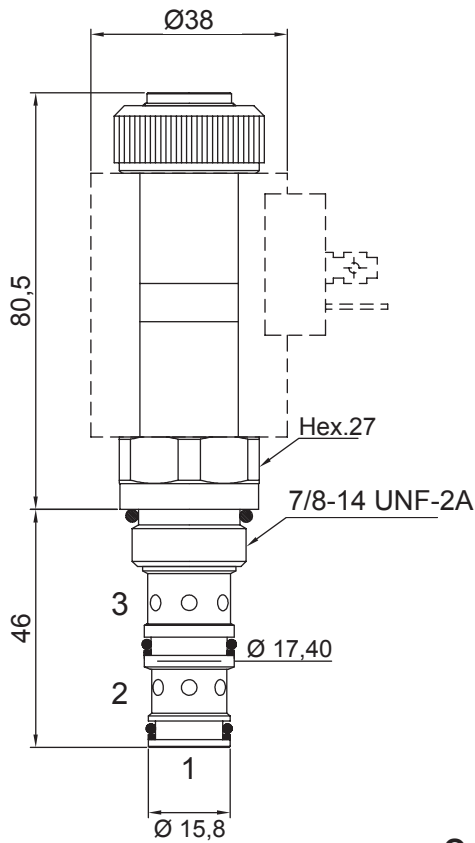


3 WAY NORMALLY CLOSED SPOOL VALVE, ELECTRO-PROPORTIONAL FLOW CONTROL

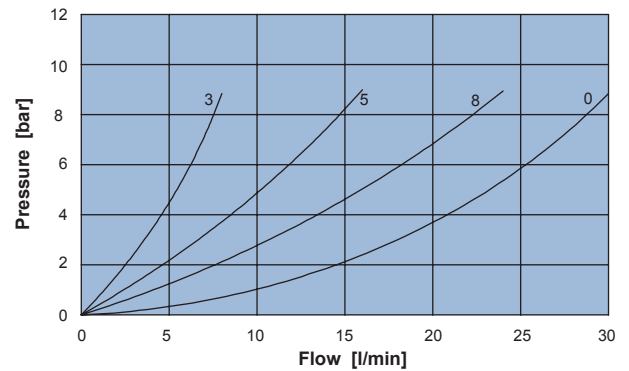
- Flow **30 l/min**
- Max working pressure in 1:2:3. **350 bar**
- Application limits with Δp max from 3 to 2. **15 bar**
- Leakage **150 cc/min**
- Seals **NBR and PTFE**
- Max current at 12 Vcc **1800mA**
- Max current at 24 Vcc **900mA**
- PWM **120 Hz**
- Hysteresis. **5%**
- Cartridge tightening torque **.40 Nm**
- Ring nut tightening torque **.5 Nm**
- Weight (with coil). **0,56 Kg**
- Cavity **C330000** page **220**
- Body. **171312** page **192**
- Coil (to be ordered separately) **09800** page **180**



Scheme 0 **Scheme 1**



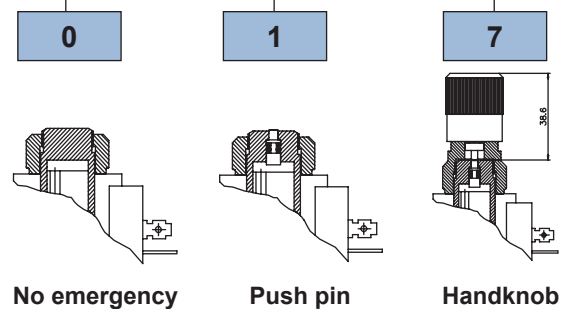
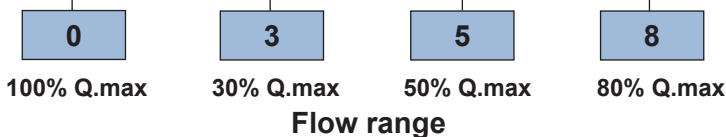
Graph flow/current with Δp from 3 to 2 of 7 bar



Pressure drop with de-energized coil

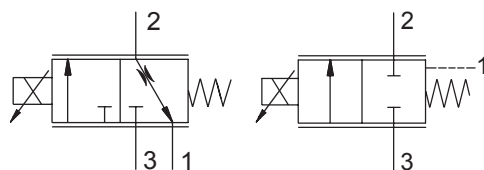
Ordering code

0 3 5 3 [] [] **0** [] **0 1**

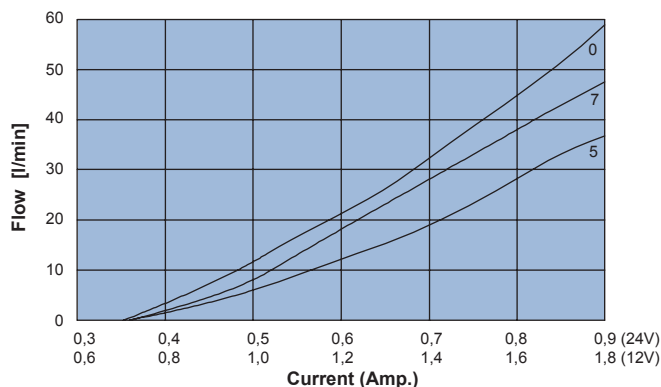
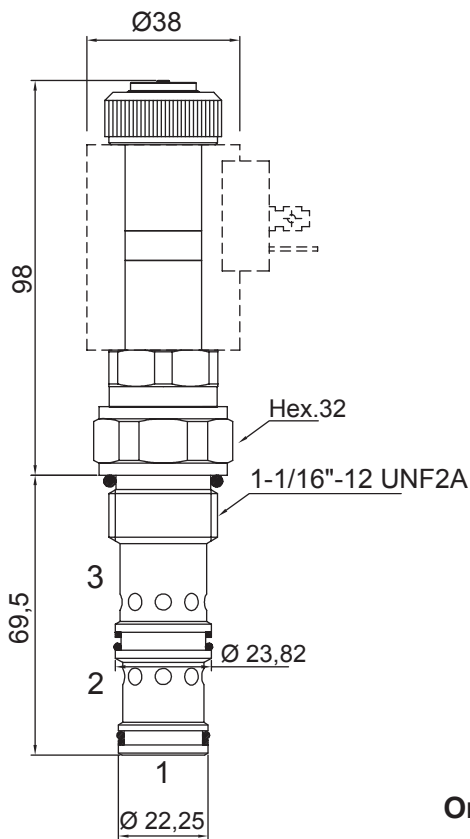


3 WAY NORMALLY CLOSED SPOOL VALVE, ELECTRO-PROPORTIONAL FLOW CONTROL

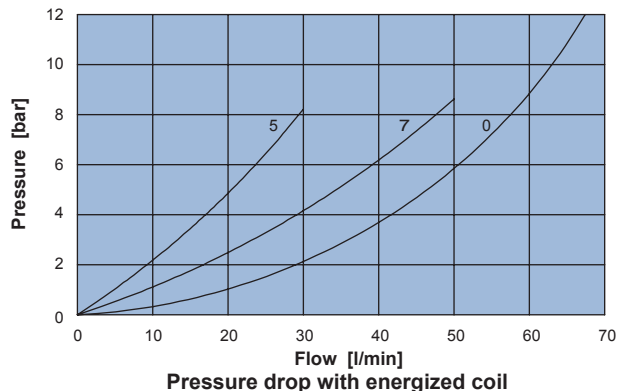
- Flow **70 l/min**
- Max working pressure..... **350 bar**
- Max working pressure in 1..... **10 bar**
- Application limits with Δp max from 3 to 2..... **15 bar**
- Leakage **250 cc/min**
- Seals **NBR and PTFE**
- Max current at 12 Vcc **1800mA**
- Max current at 24 Vcc **900mA**
- PWM **120 Hz**
- Hysteresis..... **5%**
- Cartridge tightening torque **50 Nm**
- Ring nut tightening torque **5 Nm**
- Weight (with coil)..... **0,70 Kg**
- Cavity **C340000** page 222
- Body..... **171412** page 197
- Coil (to be ordered separately) **09800** page 180



Scheme 0 **Scheme 1**



Graph flow/current with Δp from 3 to 2 of 7 bar
Graph 0 with Δp from 3 to 2 of 11 bar



Pressure drop with energized coil

Ordering code

0 3 5 4 **0** **0 1**

