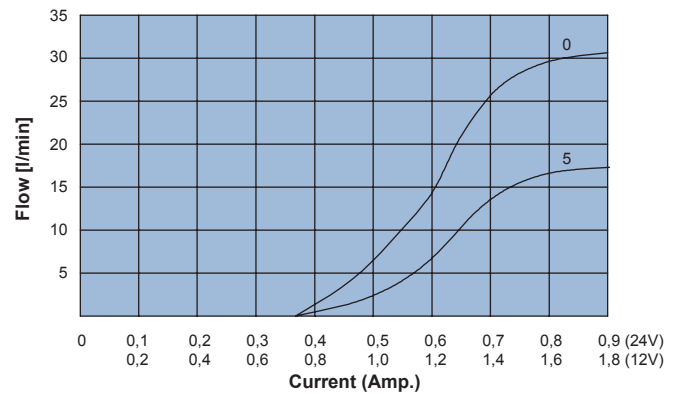
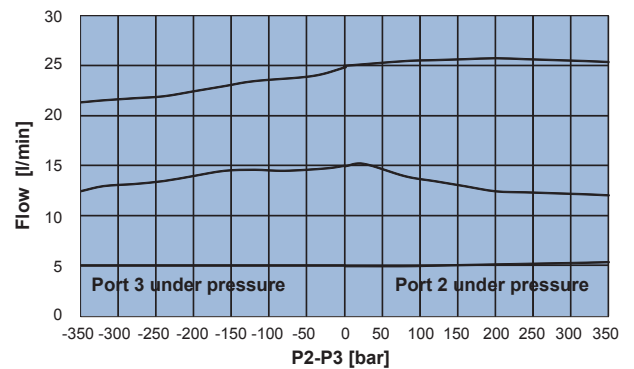
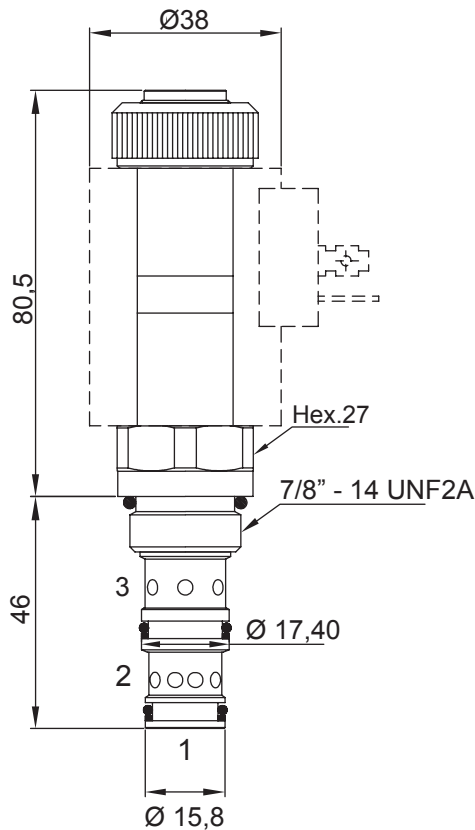
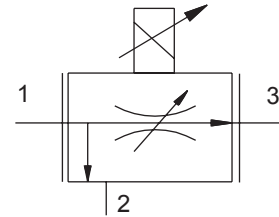


3 WAY FLOW REGULATOR VALVE

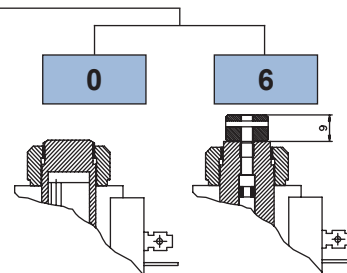
- Max working flow in 1 **50 l/min**
- Max working pressure in 1:2:3 **250 bar**
- Leakage **150 cc/min**
- Seals **NBR and PTFE**
- Cartridge tightening torque **.40 Nm**
- Ring nut tightening torque **5 Nm**
- Weight (with coil) **0,56 Kg**
- PWM **120 Hz**
- Hysteresis **5%**
- Max current at 24 Vcc **900mA**
- Max current at 12 Vcc **1800mA**
- Cavity **C330000** page 220
- Body **171312** page 192
- Coil (to be ordered separately) **09800** page 180



Ordering code

0 3 6 3 1 **0 1**

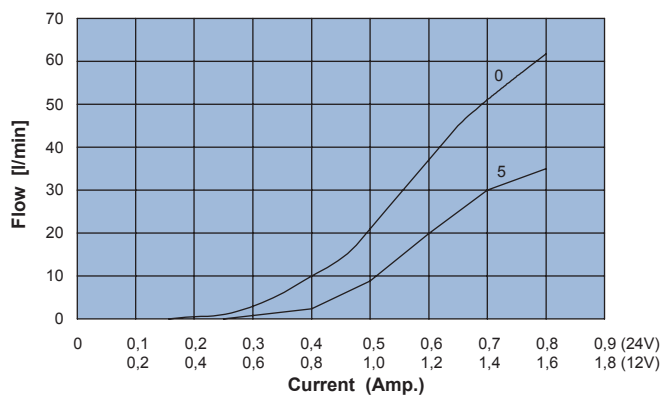
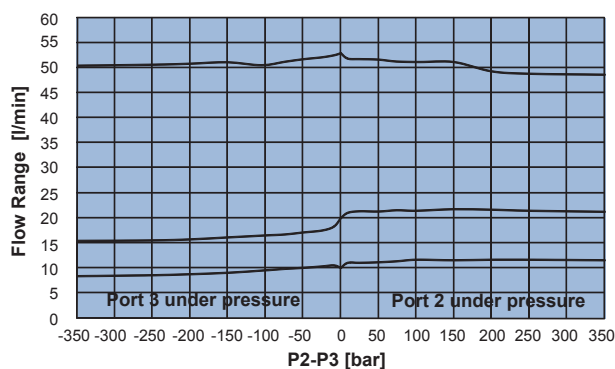
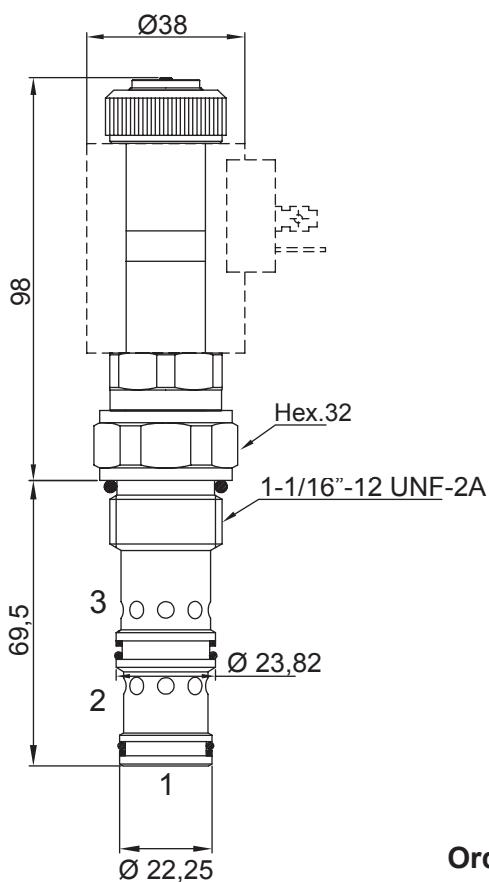
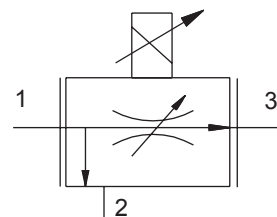
FLOW RANGE	0	5
Min - Max [l/min]	0÷25	0÷15



No emergency Unscrew type

3 WAY FLOW REGULATOR VALVE

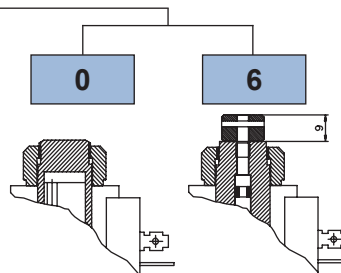
- Max flow range in 1 **80 l/min**
- Max working pressure in 1:2:3 **250 bar**
- Leakage **150 cc/min**
- Seals **NBR and PTFE**
- Cartridge tightening torque **50 Nm**
- Ring nut tightening torque **5 Nm**
- Weight (with coil) **0,7 Kg**
- PWM **120 Hz**
- Hysteresis **5%**
- Max current at 24 Vcc **900mA**
- Max current at 12 Vcc **1800mA**
- Cavity **C340000** page 222
- Body **171412** page 197
- Coil (to be ordered separately) **09800** page 180



Ordering code

0 3 6 4 1 0 0 1

FLOW RANGE	0	5
Min - Max [l/min]	0÷50	0÷35



No emergency Unscrew type

