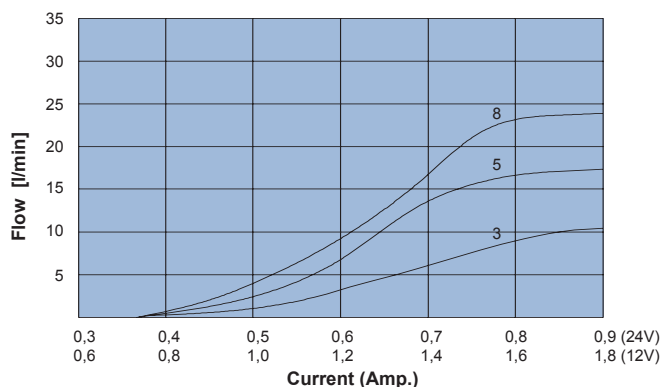
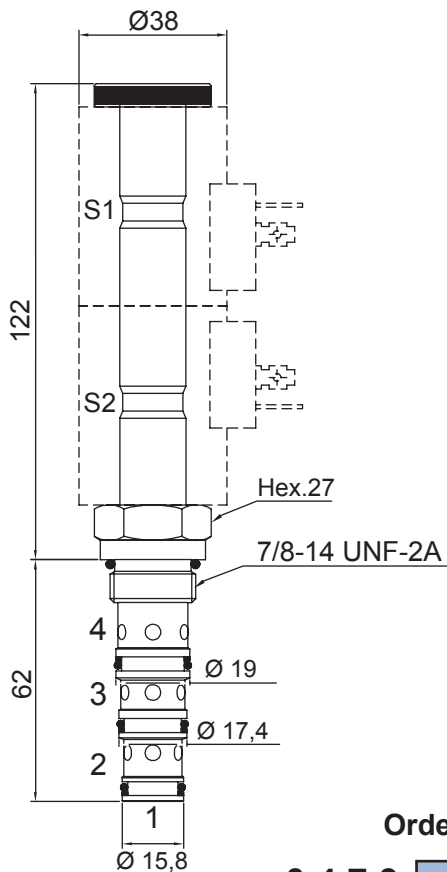
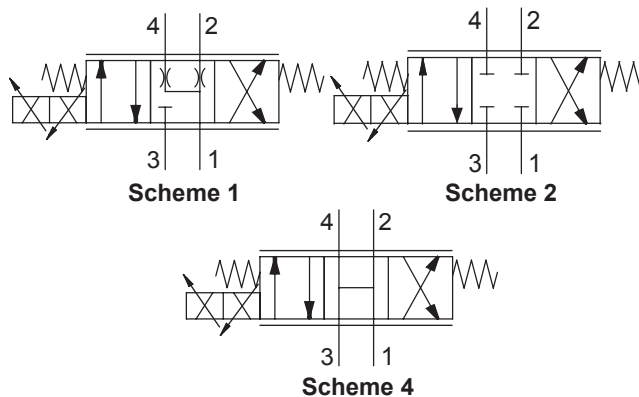
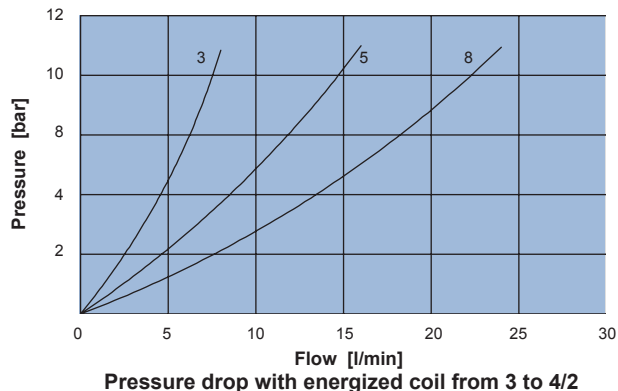


4 WAY SPOOL VALVE, ELECTRO-PROPORTIONAL FLOW CONTROL

- Maximum flow **24 l/min**
- Max working pressure in 2:3:4. **250 bar**
- Max working pressure in 1. **20 bar**
- Application limits with Δp max from 3 to 4/2 **15 bar**
- Leakage **100 cc/min**
- Seals **NBR and PTFE**
- Max current at 12 Vcc **1800mA**
- Max current at 24 Vcc **900mA**
- PWM **120 Hz**
- Hysteresis. **5%**
- Cartridge tightening torque **40 Nm**
- Ring nut tightening torque **5 Nm**
- Weight (with coil). **0,9 Kg**
- Cavity **C430000** page 226
- Body. **171322** page 195
- Coil (to be ordered separately) **09800** page 180



Graph flow/current with Δp from 3 to 4/2 of 7 bar



Pressure drop with energized coil from 3 to 4/2

Ordering code

0 4 7 3 **0**

