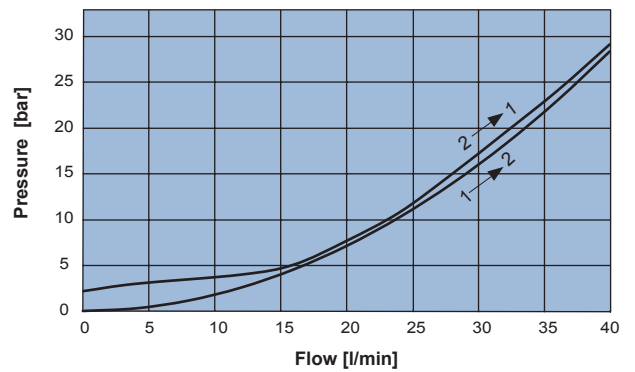
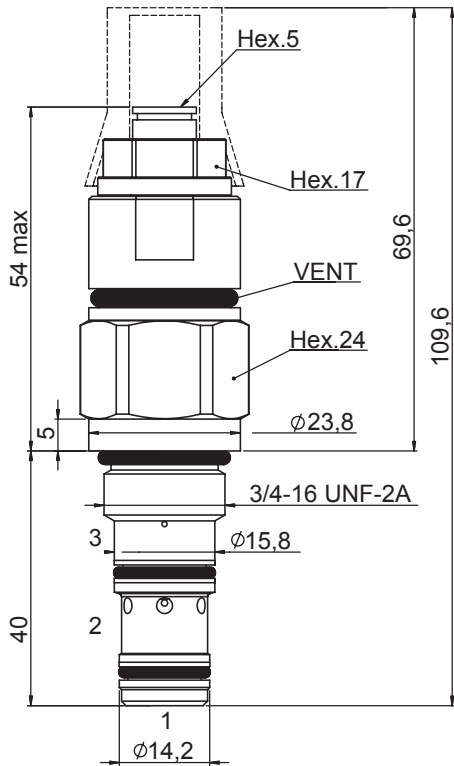
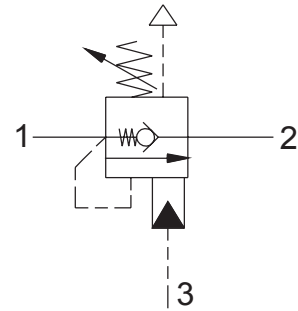


**FULLY COMPENSATED COUNTERBALANCE VALVE**

- Flow. . . . . **40 l/min**
- Max working pressure. . . . . **350 bar**
- Compensation. . . . . **Fully compensated**
- Cartridge tightening torque. . . . . **40-45 Nm**
- Seal lock nut tightening torque. . . . . **15-20 Nm**
- Weight. . . . . **0,2 Kg**
- Tamper proof cap. . . . . **cod. 4029250280**
- To be ordered separately only for version 0-prearranged**
- Cavity . . . . . **C321000** page **219**
- Body single cavity. . . . . **172212** page **188**
- Body double cavity . . . . . **176212** page **189**



**Note**  
-Setting: 1,3 times the maximum load induced pressure.  
-To be used only with A/B closed center spools.

**Ordering code**

**0 6 1 2 1**       **0 0**

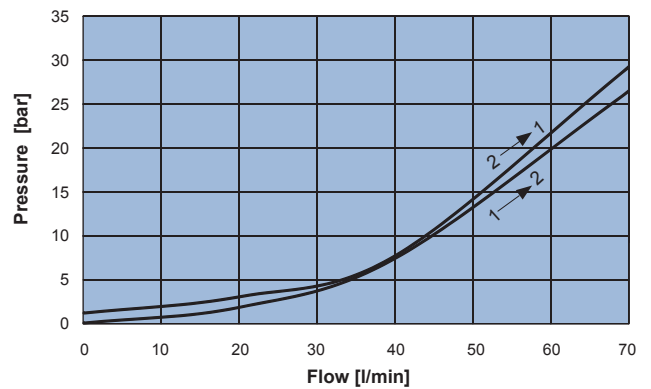
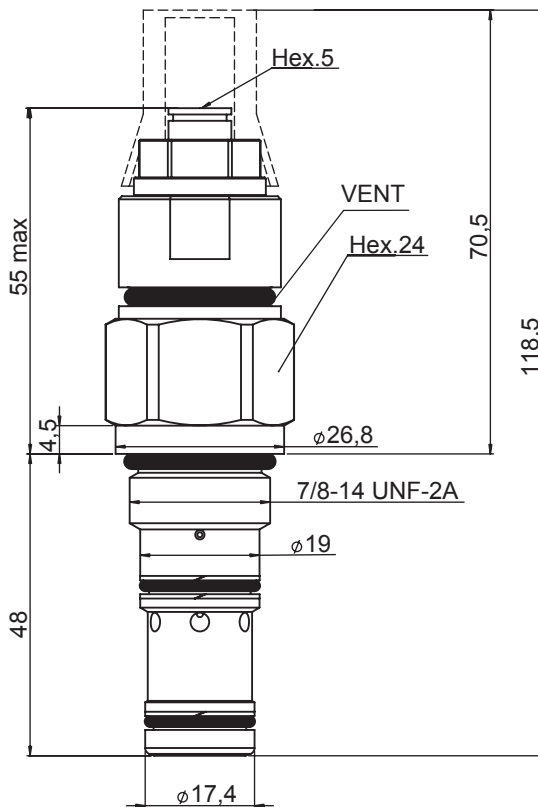
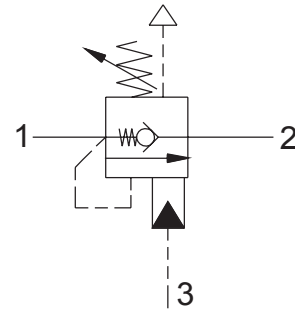
PILOT RATIO	
<b>5</b>	<b>5:1</b>

SPRINGS	<b>2</b>	<b>3</b>
Setting range [bar]	120 - 210	170 - 350
Pressure Increase [bar/turn]	35	60
Standard setting 4 l/min [bar]	210	350

TAMPER PROOF OPTION	
PRE-ARRANGED	<b>0</b>
NOT PRE-ARRANGED	<b>2</b>

**FULLY COMPENSATED COUNTERBALANCE VALVE**

- Flow ..... **70 l/min**
- Max working pressure ..... **350 bar**
- Compensation ..... **Fully compensated**
- Cartridge tightening torque ..... **50-55 Nm**
- Seal lock nut tightening torque ..... **15-20 Nm**
- Weight ..... **0,3 Kg**
- Tamper proof cap ..... **cod. 4029250280**
- To be ordered separately only for version 0-predisposed**
- Cavity ..... **C331000** page **221**
- Body single cavity ..... **172312** page **193**
- Body double cavity ..... **176312** page **194**



**Note:**  
 -Setting: 1,3 times the maximum load induced pressure.  
 -To be used only with A/B closed center spools.

**Ordering code**

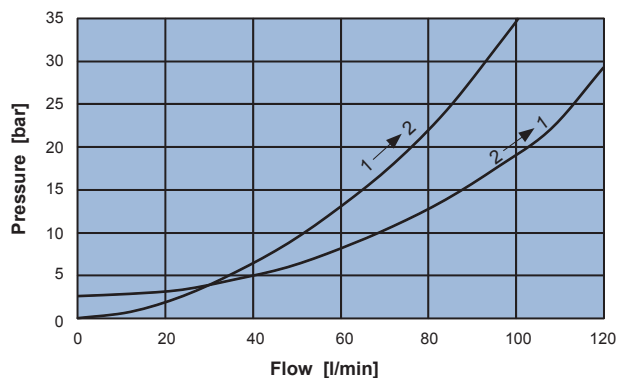
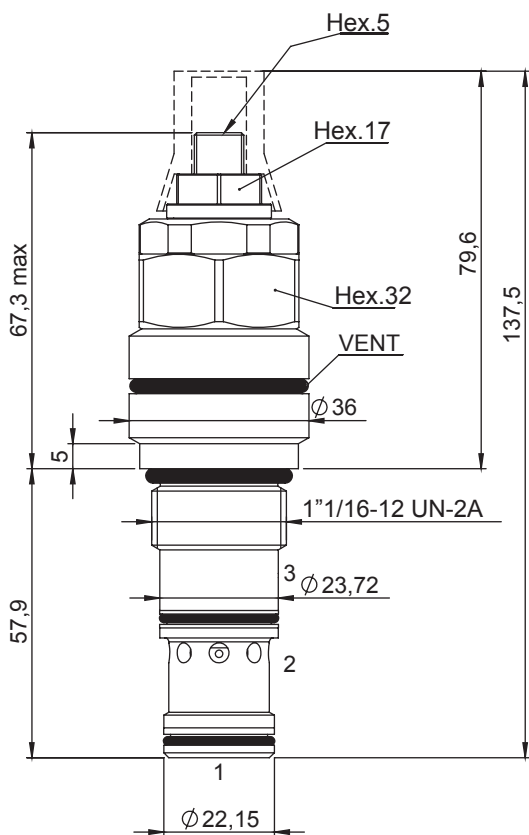
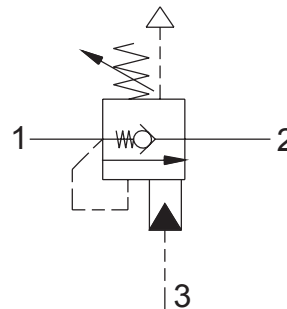
**0 6 1 3 1**       **0 0**

PILOT RATIO		SPRINGS		TAMPER PROOF OPTION	
<b>3</b>	<b>3,5:1</b>	<b>2</b>	<b>3</b>	PRE-ARRANGED	<b>0</b>
		Setting range [bar]	80 - 210 / 180 - 350	NOT PRE-ARRANGED	<b>2</b>
		Pressure Increase [bar/turn]	37 / 47		
		Standard setting 4 l/min [bar]	210 / 350		



**FULLY COMPENSATED COUNTERBALANCE VALVE**

- Flow..... **100 l/min**
- Max working pressure..... **410 bar**
- Compensation..... **Fully compensated**
- Cartridge tightening torque..... **60 Nm**
- Seal lock nut tightening torque..... **15-20 Nm**
- Weight..... **0,7 Kg**
- Tamper proof cap..... **cod. 4029250280**
- Cavity..... **C341000** page **223**
- Body single cavity..... **172412** page **199**
- Body double cavity..... **176412** page **200**



**Note:**  
-Setting: 1,3 times the maximum load induced pressure.

-To be used only with A/B closed center spools.

**Ordering code**

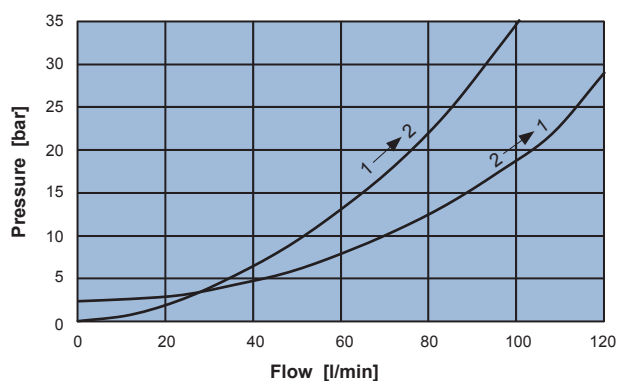
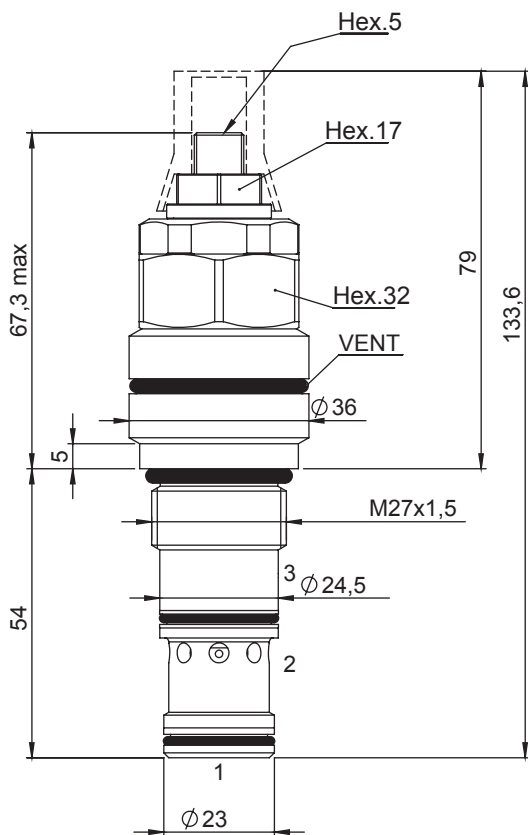
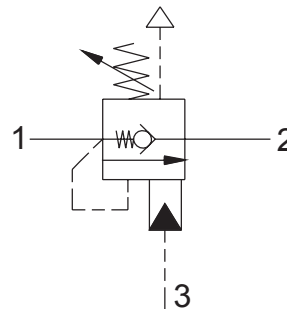
**0 6 1 4 1**     **0 0 0**

PILOT RATIO	
<b>5</b>	<b>5:1</b>

SPRINGS	<b>4</b>
Setting range [bar]	230 - 410
Pressure Increase [bar/turn]	34
Standard setting 4 l/min [bar]	350

**FULLY COMPENSATED COUNTERBALANCE VALVE**

- Flow ..... **100 l/min**
- Max working pressure ..... **410 bar**
- Compensation ..... **Fully compensated**
- Cartridge tightening torque ..... **.60 Nm**
- Seal lock nut tightening torque ..... **15-20 Nm**
- Weight ..... **0,7 Kg**
- Tamper proof cap ..... **cod. 4029250280**
- Cavity ..... **M340000** page 234



**Note:**  
-Setting: 1,3 times the maximum load induced pressure.  
-To be used only with A/B closed center spools.

**Ordering code**

**0 6 4 4 1**     **0 0 0**

PILOT RATIO	
<b>5</b>	<b>5:1</b>

SPRINGS	<b>4</b>
Setting range [bar]	230 - 410
Pressure Increase [bar/turn]	34
Standard setting 4 l/min [bar]	350

