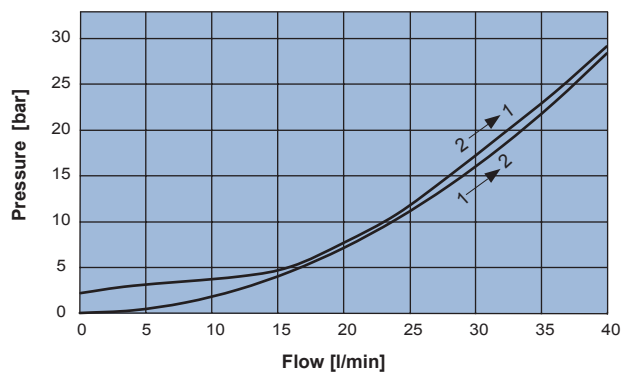
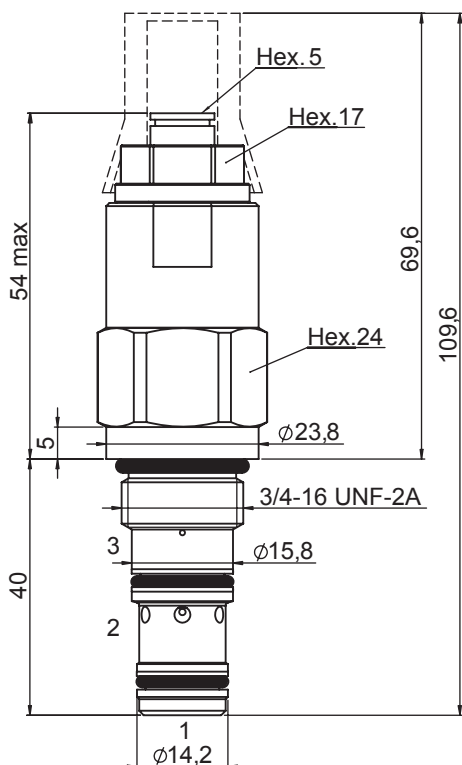
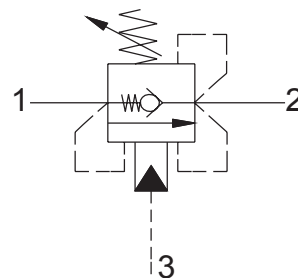


RELIEF COMPENSATED COUNTERBALANCE VALVE

- Flow. **40 l/min**
- Max working pressure. **350 bar**
- Compensation. **Relief compensated**
- Cartridge tightening torque. **40-45 Nm**
- Seal lock nut tightening torque. **15-20 Nm**
- Weight. **0,2 Kg**
- Tamper proof cap **cod. 4029250280**
- To be ordered separately only for version 0-prearranged**
- Cavity. **C321000** page 219
- Body single cavity. **172212** page 188
- Body double cavity **176212** page 189



Note
-Setting: 1,3 times the maximum load induced pressure.

Ordering code

0 6 1 2 2 **0 0**

PILOT RATIO	
5	5:1

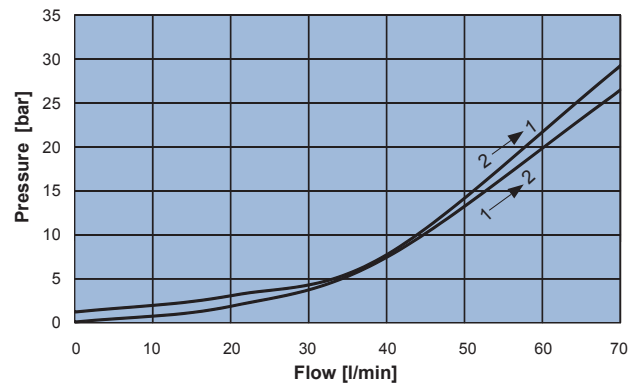
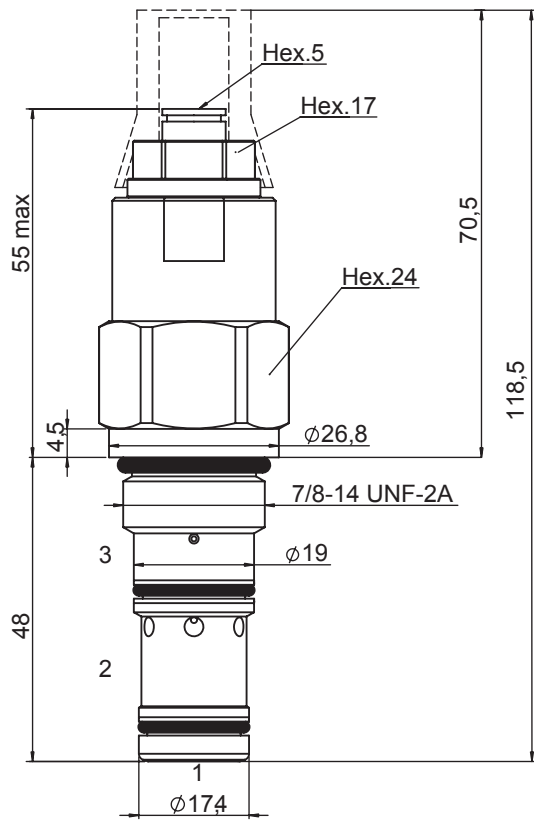
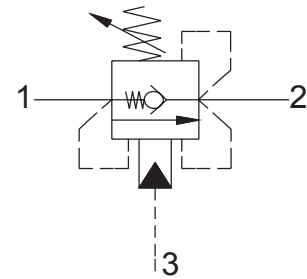
SPRINGS	2	3
Setting range [bar]	120 - 210	170 - 350
Pressure Increase [bar/turn]	35	60
Standard setting 4 l/min [bar]	210	350

TAMPER PROOF OPTION	
PRE-ARRANGED	0
NOT PRE-ARRANGED	2



RELIEF COMPENSATED COUNTERBALANCE VALVE

- Flow. **70 l/min**
- Max working pressure. **350 bar**
- Compensation. **Relief compensated**
- Cartridge tightening torque. **50-55 Nm**
- Seal lock nut tightening torque. **15-20 Nm**
- Weight. **0,3 Kg**
- Tamper proof cap **cod. 4029250280**
- To be ordered separately only for version 0-prearranged**
- Cavity **C331000** page **221**
- Body single cavity. **172312** page **193**
- Body double cavity **176312** page **194**



Note:
-Setting: 1,3 times the maximum load induced pressure.

Ordering code

0 6 1 3 2 **0 0**

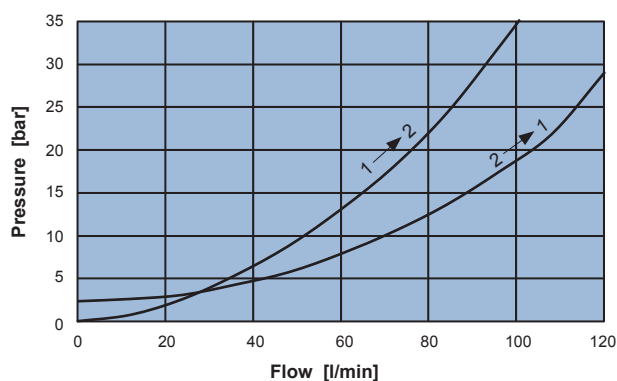
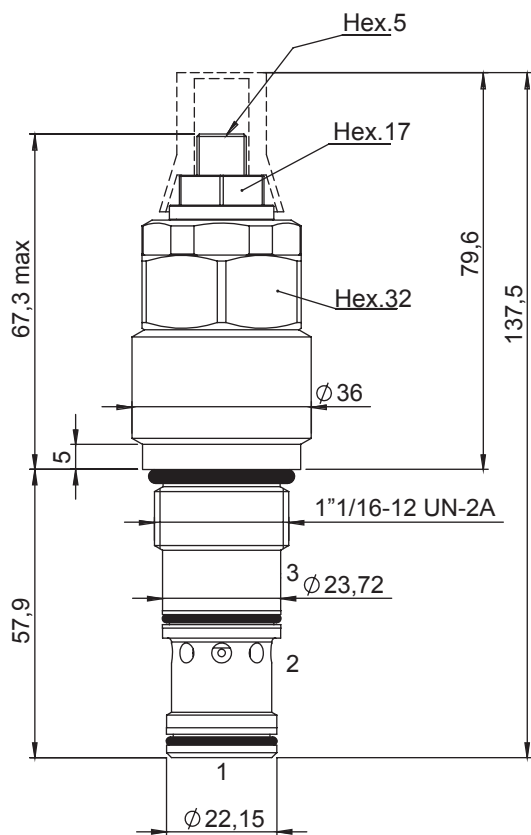
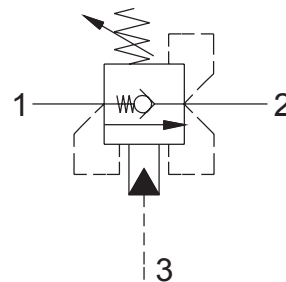
PILOT RATIO	
3	3,5:1

SPRINGS	2	3
Setting range [bar]	80 - 210	180 - 350
Pressure Increase [bar/turn]	37	47
Standard setting 4 l/min [bar]	210	350

TAMPER PROOF OPTION	
PRE-ARRANGED	0
NOT PRE-ARRANGED	2

RELIEF COMPENSATED COUNTERBALANCE VALVE

- Flow..... **100 l/min**
- Max working pressure..... **410 bar**
- Compensation..... **Relief compensated**
- Cartridge tightening torque..... **60 Nm**
- Seal lock nut tightening torque..... **15-20 Nm**
- Weight..... **0,7 Kg**
- Tamper proof cap..... **cod. 4029250280**
- Cavity..... **C341000** page **223**
- Body single cavity..... **172412** page **199**
- Body double cavity..... **176412** page **200**



Note:
-Setting: 1,3 times the maximum load induced pressure.

Ordering code

0 6 1 4 2 **0 0 0**

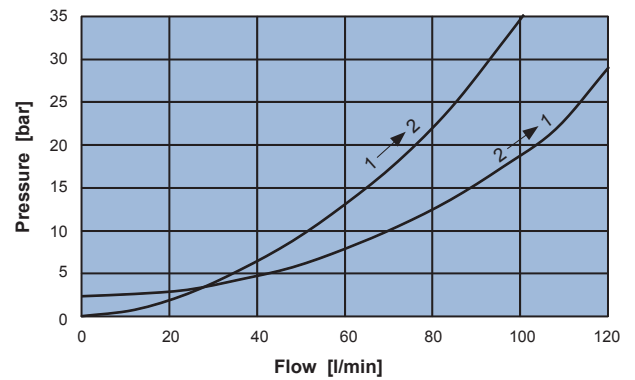
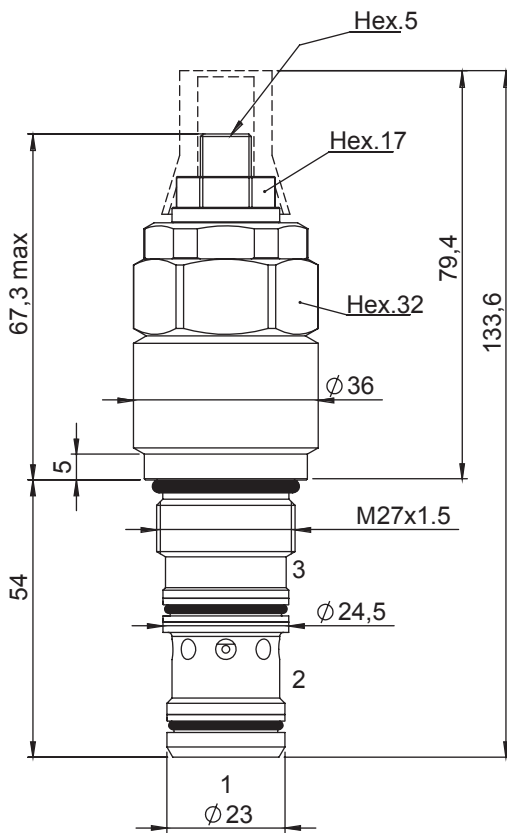
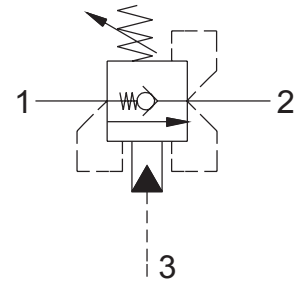
PILOT RATIO	
5	5:1

SPRINGS	4
Setting range [bar]	230 - 410
Pressure Increase [bar/turn]	34
Standard setting 4 l/min [bar]	350



RELIEF COMPENSATED COUNTERBALANCE VALVE

- Flow **100 l/min**
- Max working pressure **410 bar**
- Compensation **Relief compensated**
- Cartridge tightening torque **.60 Nm**
- Seal lock nut tightening torque **15-20 Nm**
- Weight **0,7 Kg**
- Tamper proof cap **cod. 4029250280**
- Cavity **M340000** page 234



Note:
-Setting: 1,3 times the maximum load induced pressure.

Ordering code

0 6 4 4 2 **0 0 0**

PILOT RATIO	
5	5:1

SPRINGS	4
Setting range [bar]	230 - 410
Pressure Increase [bar/turn]	34
Standard setting 4 l/min [bar]	350