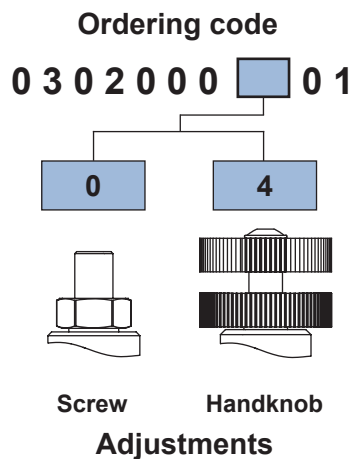
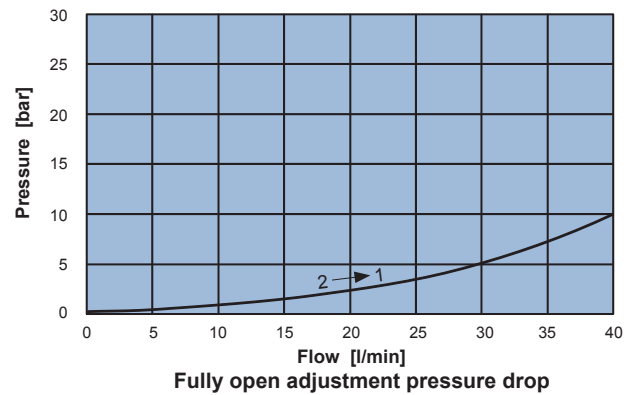
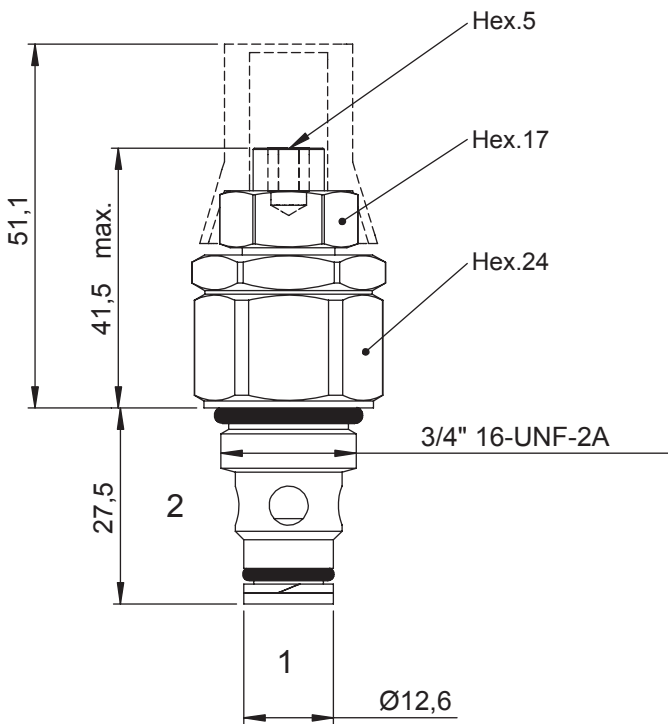
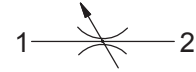


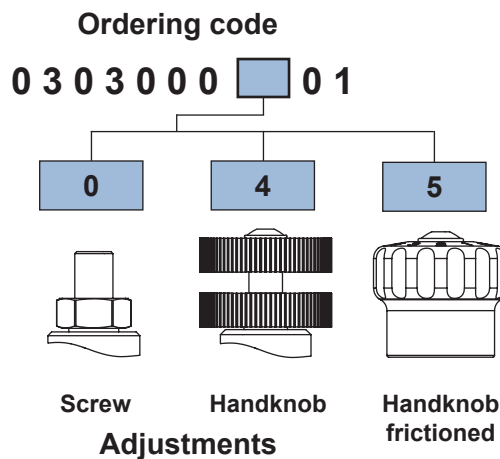
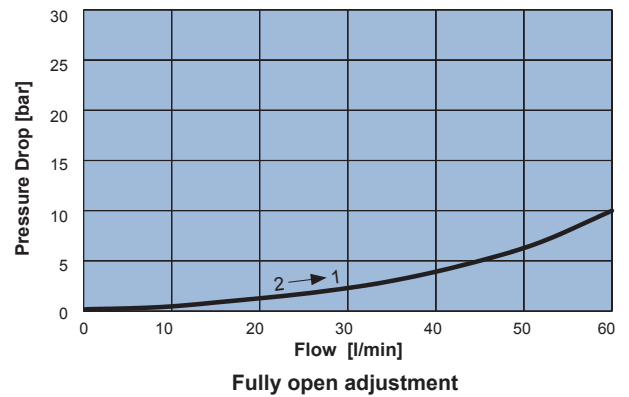
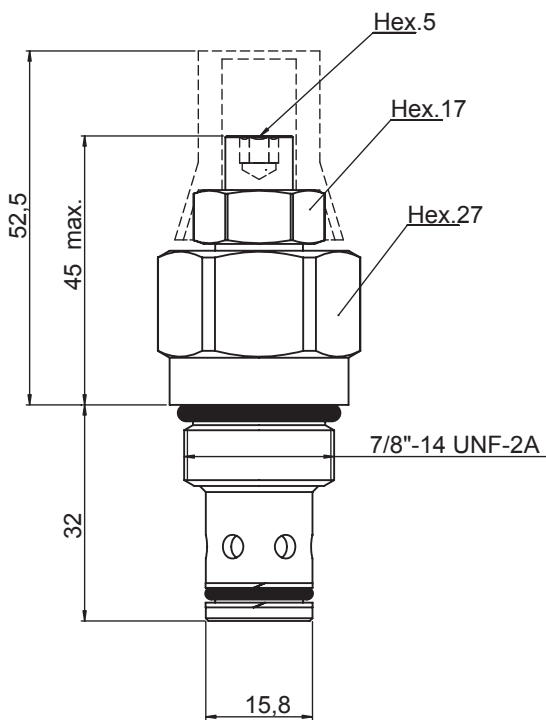
BIDIRECTIONAL FLOW CONTROL VALVE

- Max Flow. **30 l/min**
- Max working pressure **350 bar**
- Seals **NBR and PTFE**
- Cartridge tightening torque. **40 Nm**
- Weight. **0,15 Kg**
- Tamper proof cap: **cod.4029250280**
- Adjustment range. **5 turns**
- Cavity **C220000** page 208
- Body. **171202** page 186



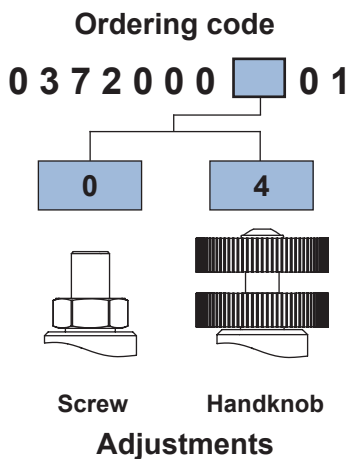
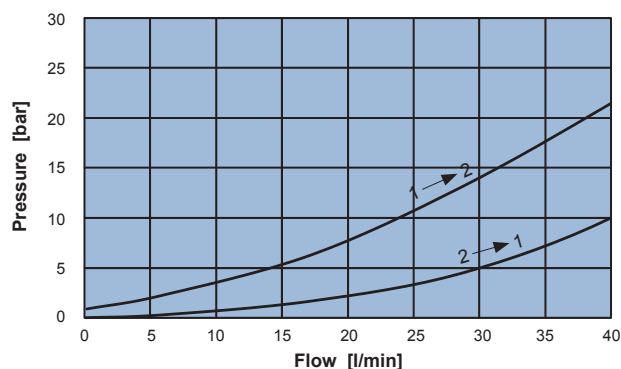
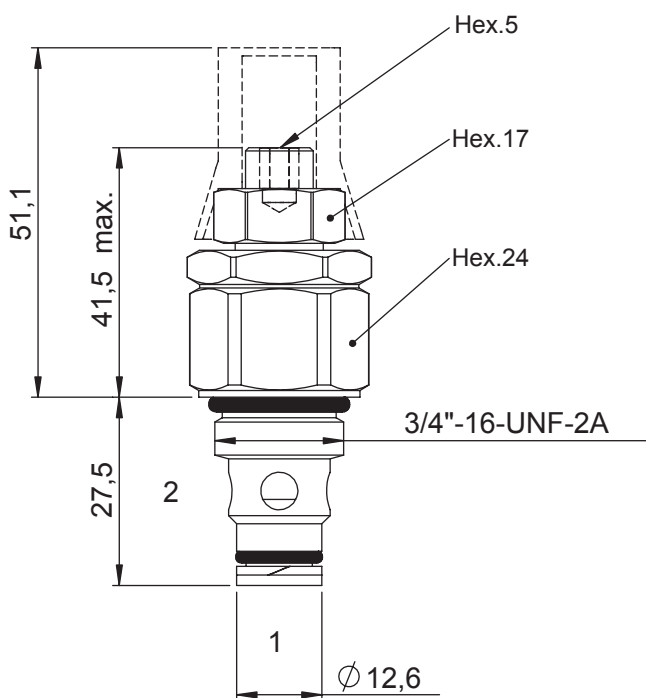
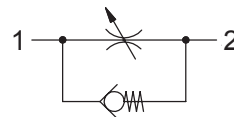
BIDIRECTIONAL FLOW CONTROL VALVE

- Max Flow. **60 l/min**
- Max working pressure **350 bar**
- Seals **NBR and PTFE**
- Cartridge tightening torque. **50 Nm**
- Weight. **0,2 Kg**
- Tamper proof cap: **cod.4029250280**
- Adjustment range. **5 turns**
- Cavity **C230000** page 210
- Body. **171302** page 191



UNIDIRECTIONAL FLOW CONTROL VALVE

- Max Flow. **30 l/min**
- Max working pressure **350 bar**
- Seals **NBR and PTFE**
- Cartridge tightening torque. **40 Nm**
- Weight. **0,15 Kg**
- Tamper proof cap: **cod.4029250280**
- Adjustment range. **5 turns**
- Cavity **C220000** page 208
- Body. **171202** page 186



UNIDIRECTIONAL FLOW CONTROL VALVE

- Max Flow. **60 l/min**
- Max working pressure **350 bar**
- Seals **NBR and PTFE**
- Cartridge tightening torque. **50 Nm**
- Weight. **0,2 Kg**
- Tamper proof cap: **cod.4029250280**
- Adjustment range. **5 turns**
- Cavity **C230000** page **210**
- Body. **171302** page **191**

