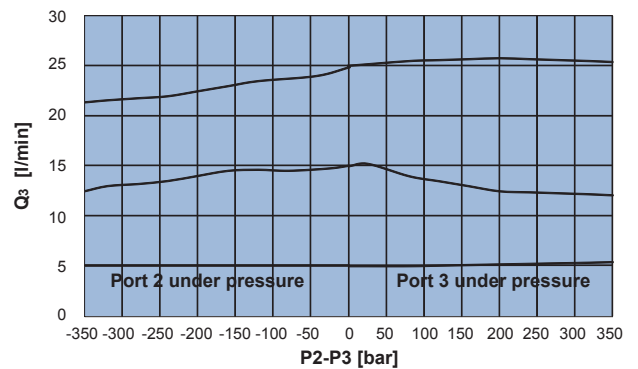
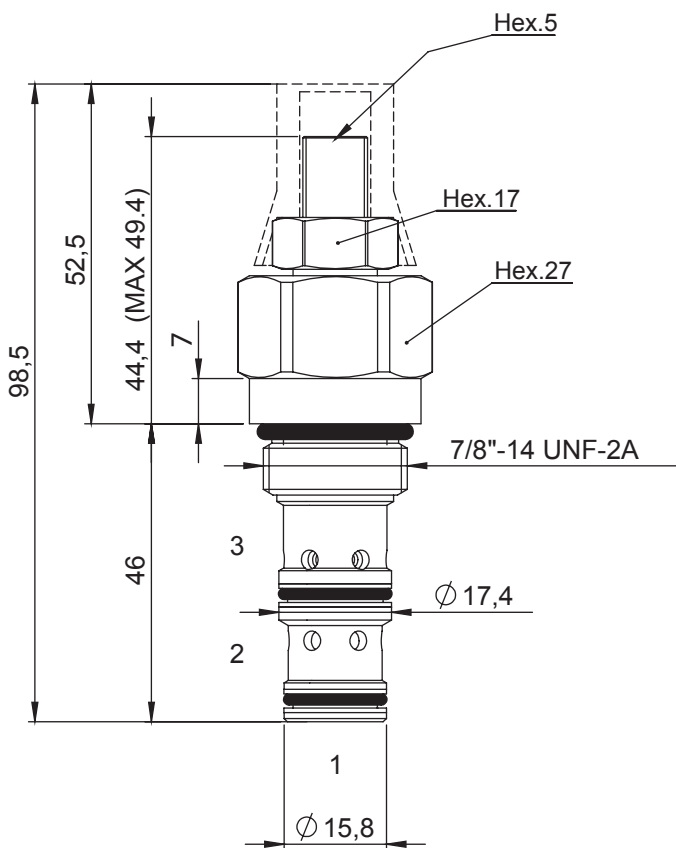
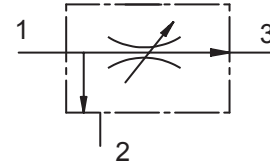


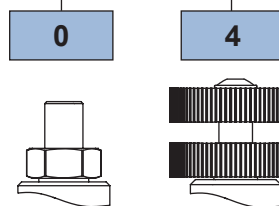
3 WAY COMPENSATED FLOW CONTROL VALVE

- Max Flow in (1)..... **50 l/min**
- Max Regulated Flow (3)..... **30 l/min**
- Max working pressure..... **350 bar**
- Seals..... **NBR and PTFE**
- Cartridge tightening torque..... **50 Nm**
- Weight..... **0,31 Kg**
- Tamper proof cap:..... **cod.4029250280**
- Cavity..... **C330000** page 220
- Body..... **171312** page 192



Ordering code

0 3 2 3 0 0 0 [] 0 1

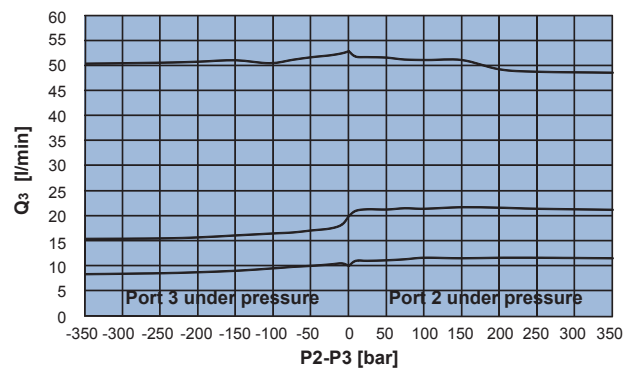
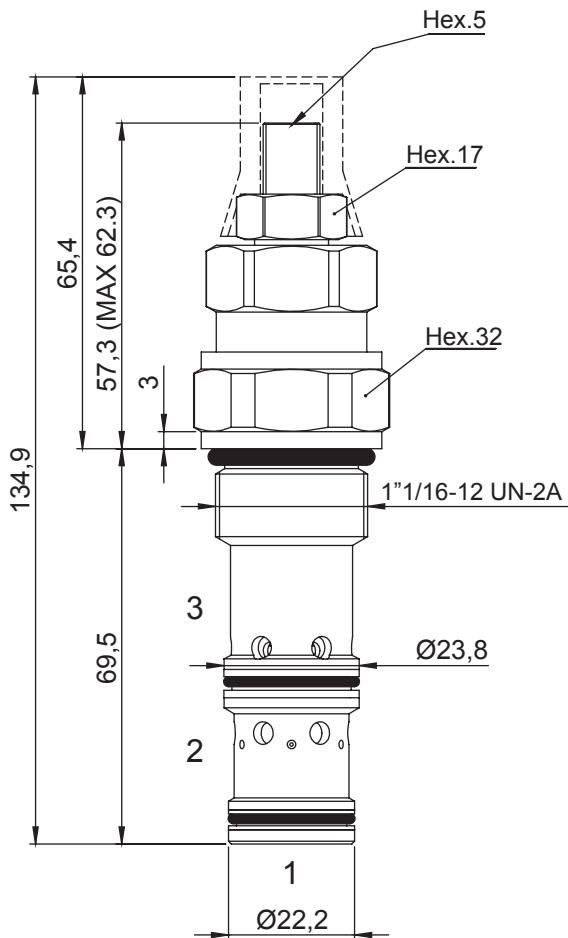
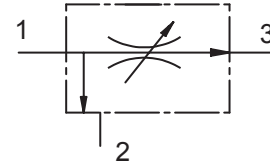


Screw Handknob
Adjustments



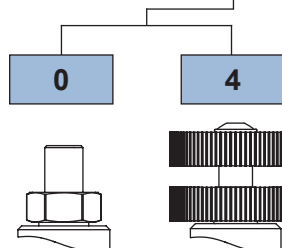
3 WAY COMPENSATED FLOW CONTROL VALVE

- Max Flow in (1)..... **90 l/min**
- Max Regulated Flow (3)..... **50 l/min**
- Max working pressure **350 bar**
- Seals **NBR and PTFE**
- Cavity **C340000**
- Cartridge tightening torque..... **60 Nm**
- Weight..... **0,4 Kg**
- Tamper proof cap:..... **cod.4029250280**
- Cavity **C340000** page **222**
- Body..... **171412** page **197**



Ordering code

0 3 2 4 0 0 0 [] 0 1



Screw Handknob
Adjustments