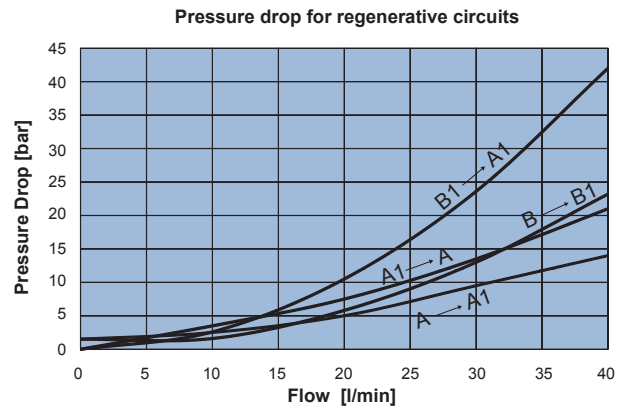
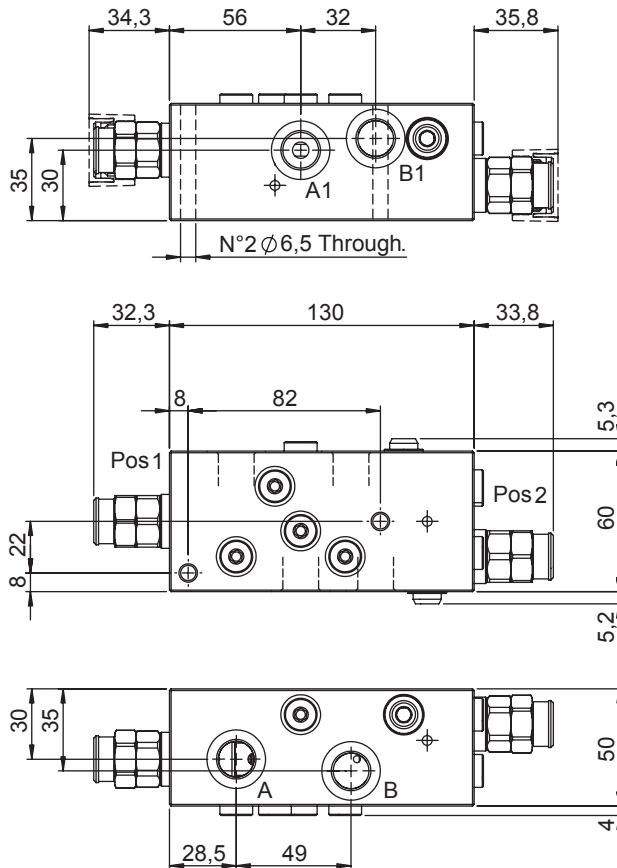
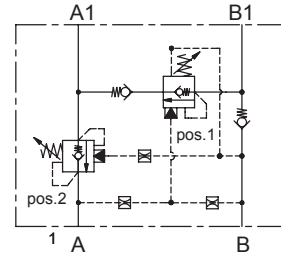


DOUBLE ACTING COUNTERBALANCE VALVE FOR REGENERATIVE CIRCUITS

- Flow on Ports A/A1..... **40 l/min**
- Flow on Ports B1/A1..... **40 l/min**
- Max working pressure..... **350 bar**
- Weight..... **2,9 Kg**
- Tamper proof cap..... **cod. 9021030190**



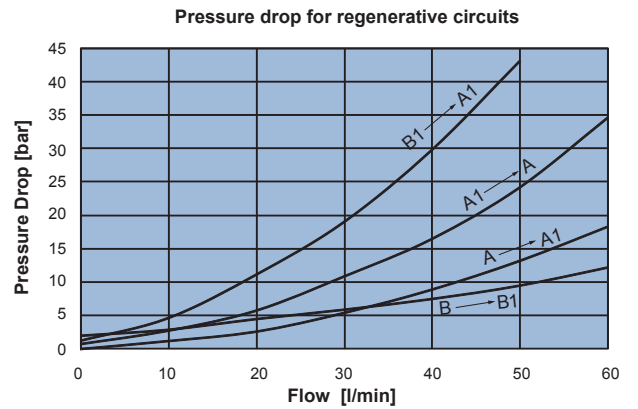
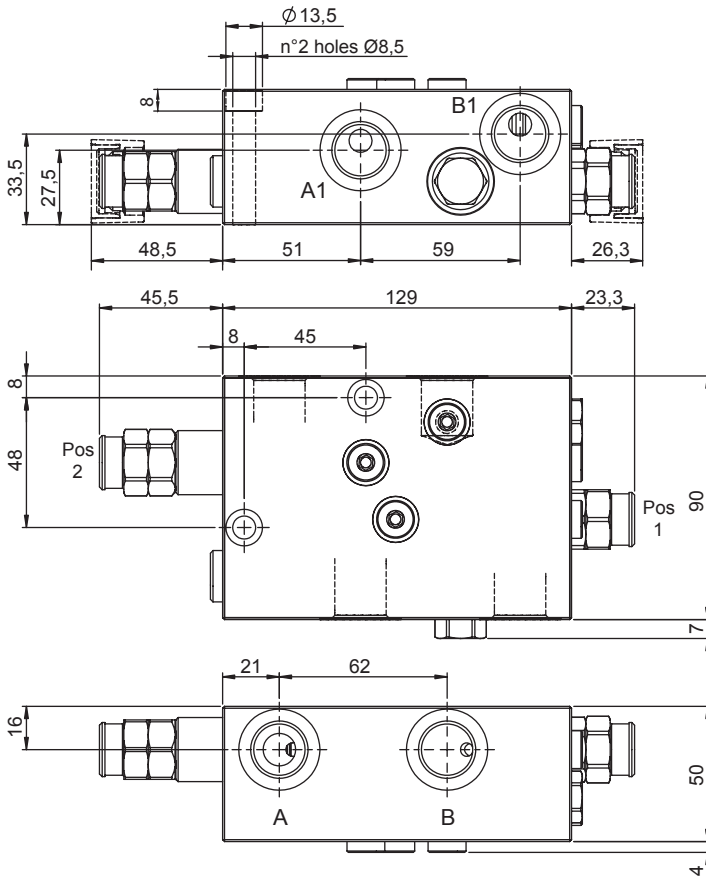
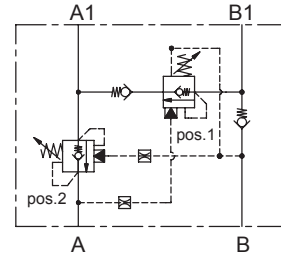
Ordering code

H 3 0 8 0 N **S** **0 0**

PILOT RATIO		SPRINGS		PORTS	
41	4:1+PBO dia 0.5	3	pos.1 pos.2	03	G 3/8"
		Setting range min.-max. [bar]	150 - 430		
		Pressure Increase [bar/turn]	100		
		Standard setting 4 l/min [bar]	350		

DOUBLE ACTING COUNTERBALANCE VALVE FOR REGENERATIVE CIRCUITS

- Flow on Ports A/A1..... **70 l/min**
- Flow on Ports B1/A1..... **40 l/min**
- Max working pressure..... **350 bar**
- Weight..... **4,3 Kg**
- Tamper proof cap..... **cod.9021030190**



Note:
- Available also G3/8" version with the damping screw for pos.1 (NEM code H3080N423S0300)

Ordering code

H 3 0 8 0 N **S** **0 0**

PILOT RATIO	
40	4:1 Pos 1
	4:1 Pos 2

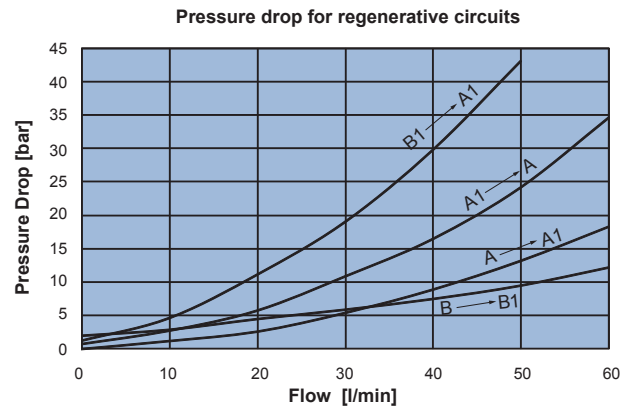
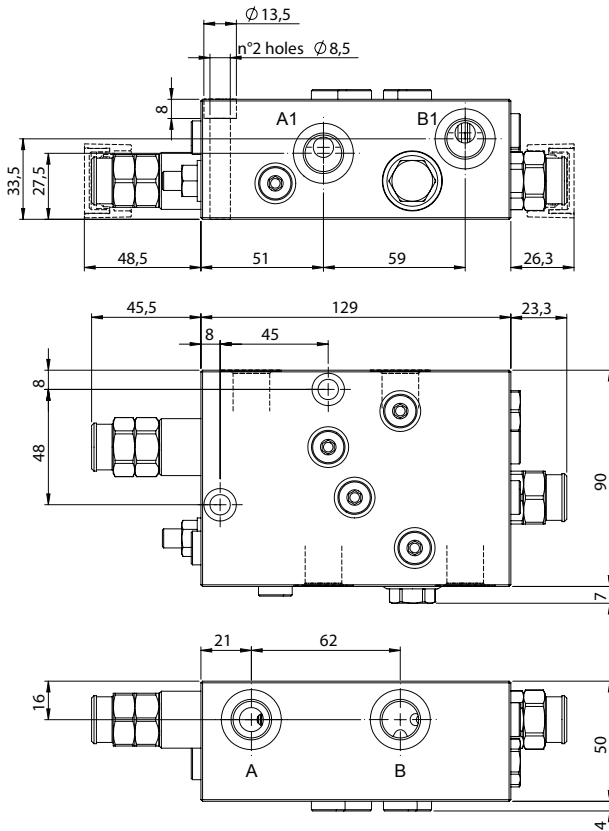
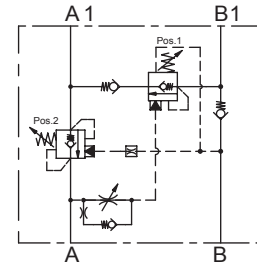
SPRINGS	3	
	pos.1	pos.2
Setting range min.-max. [bar]	150 - 430	120 - 350
Pressure Increase [bar/turn]	100	114
Standard setting 4 l/min [bar]	430	210

PORTS	
04	G 1/2"
A,B,A1,B1	



DOUBLE ACTING COUNTERBALANCE VALVE FOR REGENERATIVE CIRCUITS

- Flow on Ports A/A1..... **70 l/min**
- Flow on Ports B1/A1..... **40 l/min**
- Max working pressure..... **350 bar**
- Weight..... **4,3 Kg**
- Tamper proof cap..... **cod. 9021030190**



Note:
- Available also G1/2" version without the damping screw for pos.1 (NEM code H3080N403S0400)

Ordering code

H 3 0 8 0 N **S** **0 0**

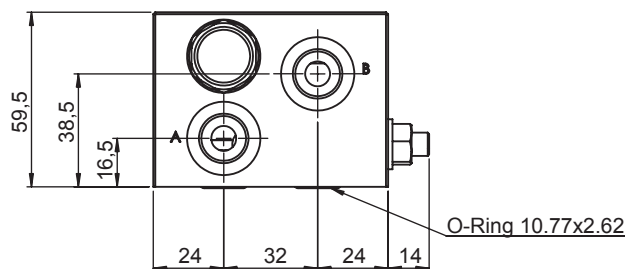
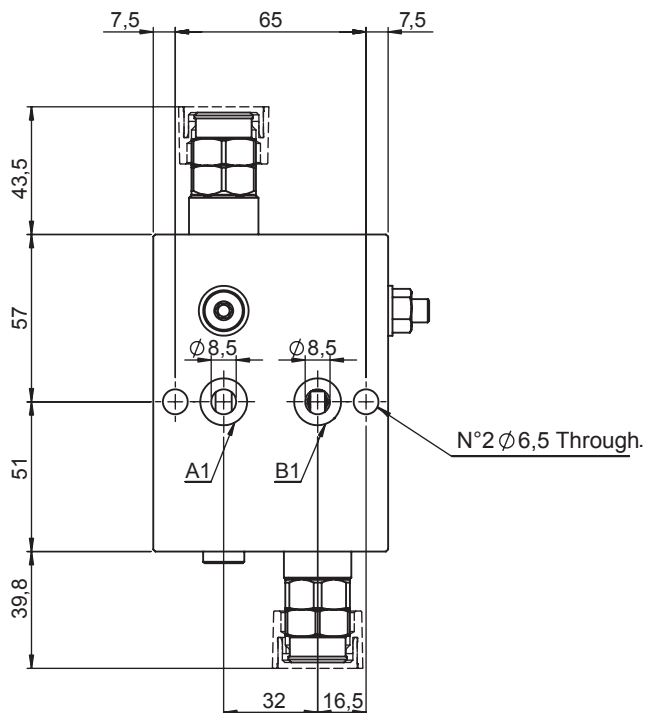
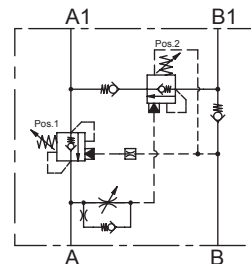
PILOT RATIO		
42	4:1	ADJUSTABLE DUMP SCREW

SPRINGS	3	
	pos.1	pos.2
Setting range min.-max. [bar]	150 - 430	120 - 350
Pressure Increase [bar/turn]	100	114
Standard setting 4 l/min [bar]	430	210

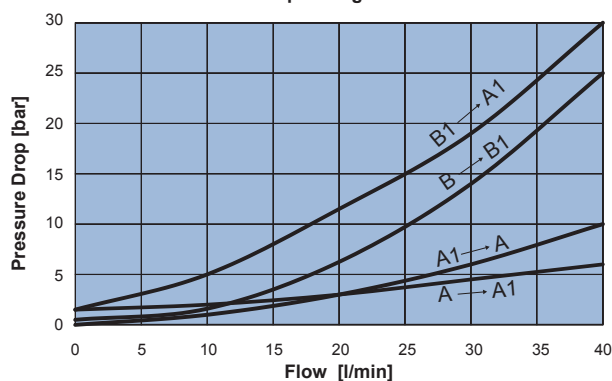
PORTS	
03	
A,B,A1,B1	G 3/8"

DOUBLE ACTING COUNTERBALANCE VALVE FOR REGENERATIVE CIRCUITS - A1/B1 FLANGED

- Flow on Ports A/A1..... **40 l/min**
- Flow on Ports B1/A1..... **40 l/min**
- Max working pressure..... **350 bar**
- Weight..... **3,9 Kg**
- Tamper proof cap..... **cod. 9021030190**



Pressure drop for regenerative circuits



Ordering code

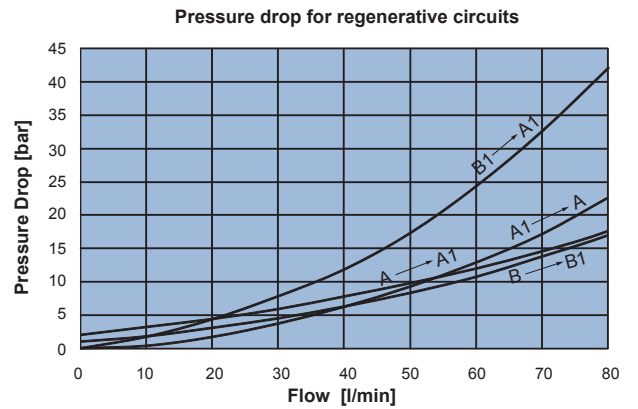
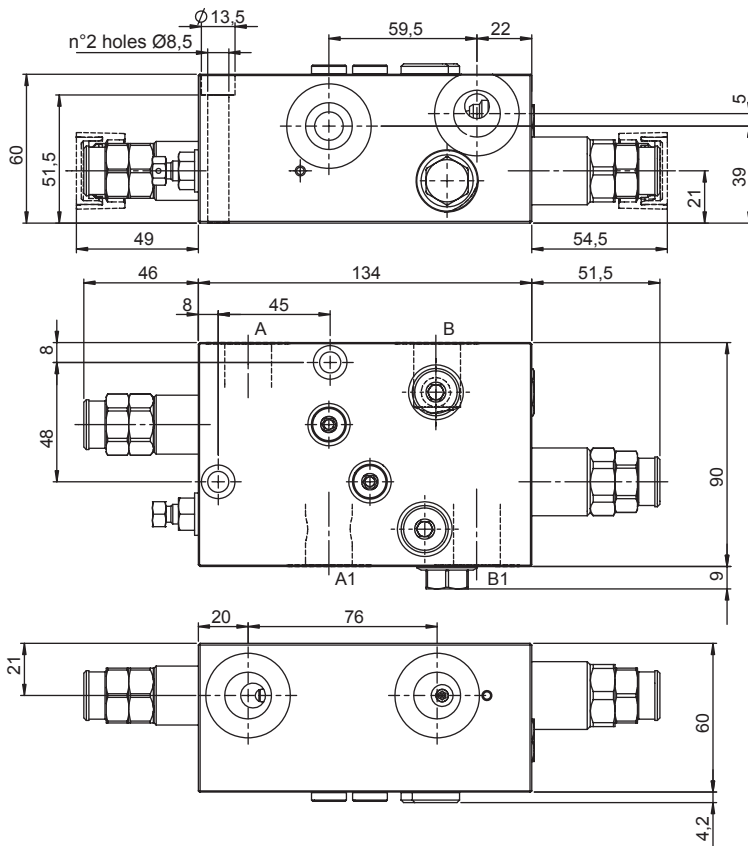
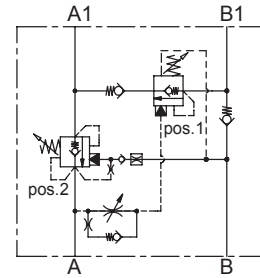
H 3 0 8 1 N **S** **0 0**

PILOT RATIO		SPRINGS		PORTS	
42	4:1	3		03	
ADJUSTABLE DUMP SCREW		pos.1	pos.2	A,B,	G 3/8"
		Setting range min.-max. [bar]	120 - 350	A1,B1	Ø 8.5
		Pressure Increase [bar/turn]	114 100		
		Standard setting 4 l/min [bar]	350 350		



DOUBLE ACTING COUNTERBALANCE VALVE FOR REGENERATIVE CIRCUITS

- Flow on Ports A/A1..... **70 l/min**
- Flow on Ports B1/A1..... **100 l/min**
- Max working pressure..... **350 bar**
- Weight..... **5,3 Kg**
- Tamper proof cap..... **cod.9021030190**



Ordering code

H 1 0 8 0 N **S** **0 0**

PILOT RATIO		SPRINGS		PORTS	
40	4:1 Pos 1	4		04	
	2:1 Pos 2	pos.1	pos.2	G 1/2"	
		Setting range min.-max. [bar]	250 - 430	114 - 370	
		Pressure Increase [bar/turn]	116	114	
		Standard setting 4 l/min [bar]	430	210	